



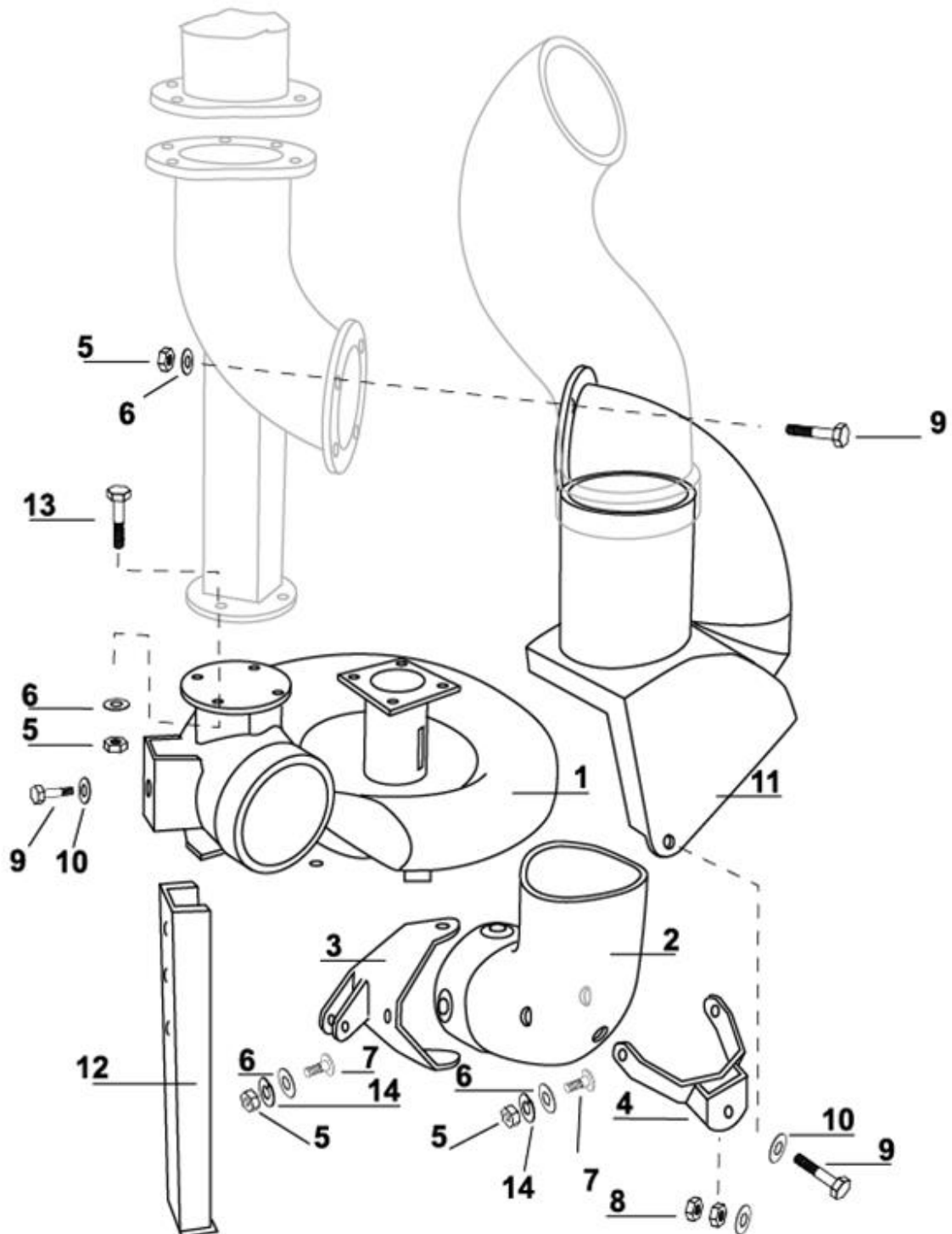
Spare parts catalogue

DUUN

Slurry pump SP400

Pump housing, support leg

Edition: 0703





Spare parts catalogue

DUUN

Slurry pump SP400

	Pump housing, support leg	Edition: 0703
--	---------------------------	---------------

Pos.no.	Qty.	Designation	Article no.	Comment
1	1	Pump housing SP400	1312430	
2	1	Outlet bend	2245097	
3	1	Attachment for struts, stirring/loading	1312442	
4	1	Rotation attachment for bends	1312443	
5	10	Nut M10 hot galvanized	2281810	
6	10	Washer M10 hot galvanized	2539060	
7	6	Locking head screw M10x30	2444312	
8	2	Nut M 16 hot galvanized	2481813	
9	2	Hex screw M12x35 hot galvanized	2427350	
10	3	Washer M12 hot galvanized	2539069	
11	1	Shift box	1312434	
12	1	Support leg	1311803	
13	8	Hex screw M12x30 hot galvanized	2427299	
14	6	Spring washer M10 hot galvanized	2539000	
15		Washer M12 hot galvanized	2531069	



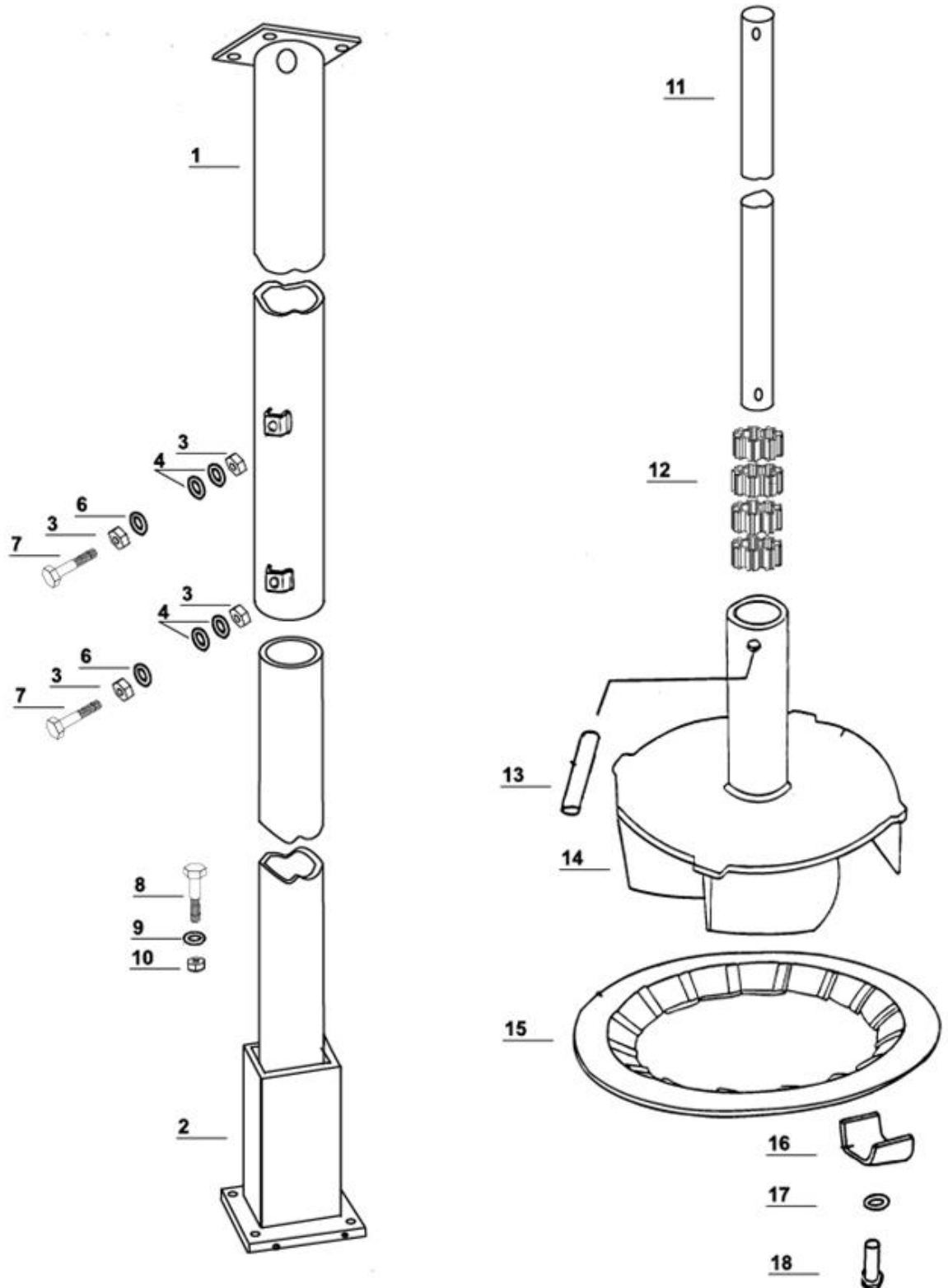
Spare parts catalogue

DUUN

Slurry pump SP400

Drive tain and impeller

Edition: 0703





Spare parts catalogue

DUUN

Slurry pump SP400

Drive tain and impeller

Edition: 0703

Pos.no.	Qty.	Designation	Article no.	Comment
1	1	Upper cover pipe for shaft	1311807	
2	1	Lower cover tube for shaft	1312279	
3	4	Hexagon nut M10 acid ref.	2489410	
4	8	Plastic washer w/collar Ø11,9/10,2	2245015	
6	2	Washer M10 acid ref.	2537060	
7	2	Hex screw M10x40 acid ref.	2429303	
8	4	Hex screw M10x30 hot galvanized	2427299	
9	4	Washer M10 hot galvanized	2539060	
10	4	Hex nut M10 hot galvanized	2481810	
11	1	Drive shaft Ø40 L- 3,4 m	1312553	
		Drive shaft Ø40 L- 3,9 m	1312554	
		Drive shaft Ø40 L- 4,4 m	1312555	
12	4	Bearings for impeller	2245028	
13	1	Break pin Ø12x60	2527124	
14	1	Impeller	1311814	
	1	Impeller w/high performance	1312564	
15	1	Cutting ring	1311815	
16	4	Clamp iron	1311904	
17	4	Washer M12 hot galvanized	2539069	
18	4	Hex screw M12x35 hot galvanized	2427350	



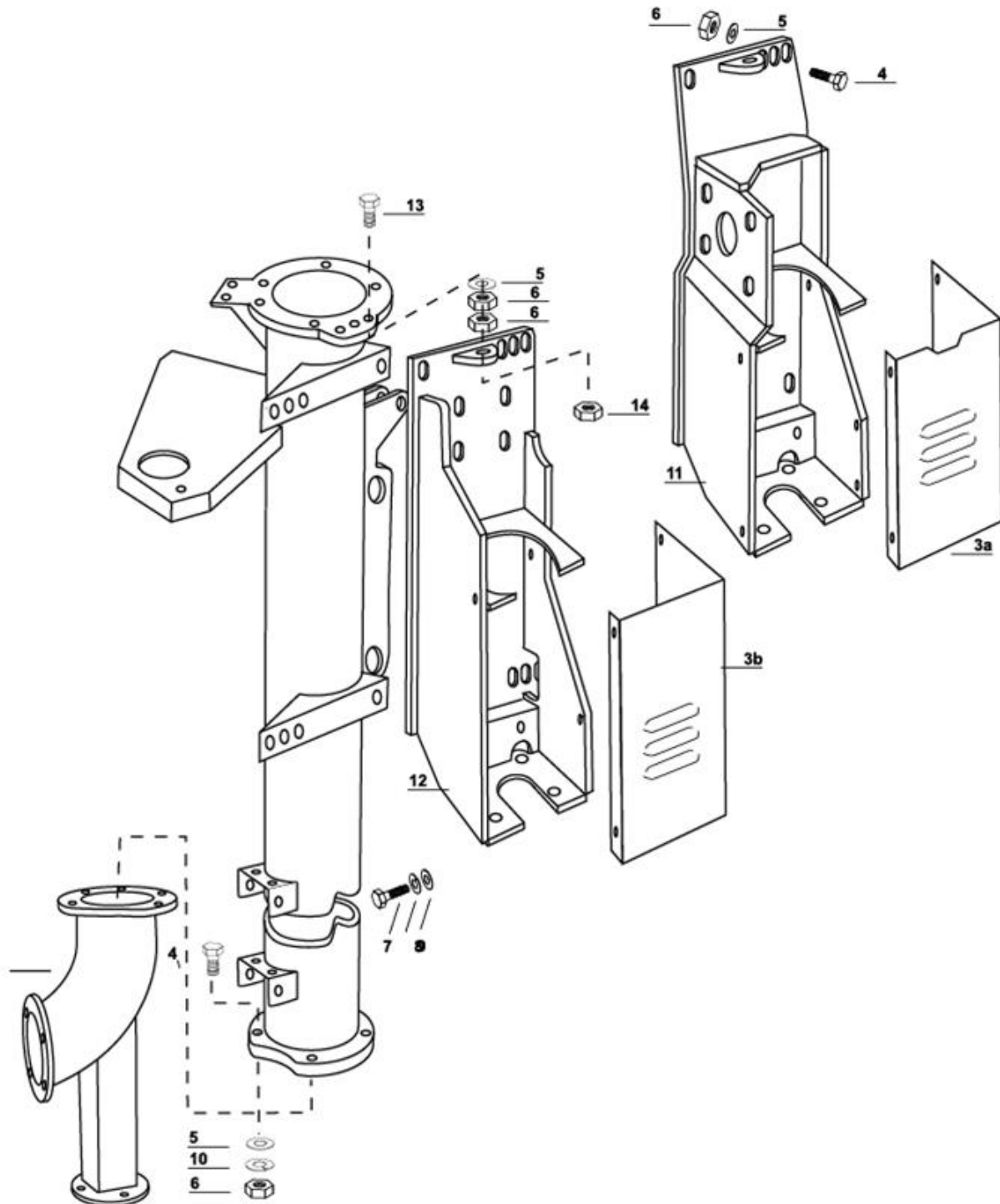
Spare parts catalogue

DUUN

Slurry pump SP400

Pump stem and gearbox holder

Edition: 0703





Spare parts catalogue

DUUN

Slurry pump SP400

Pump stem and gearbox holder

Edition: 0703

Pos.no.	Qty.	Designation	Article no.	Comment
1	1	Pump stem	1312431	
2	1	The lower loader tube L-3,4 m	1312559	
	1	The lower loader tube L-3,9 m	1312558	
	1	The lower loader tube L-4,4 m	1312433	
3a	1	Universal cover	1312436	
3b	1	Combi/rod cover	1312557	
4	10	Hexagon screw M16x50 hot galvanized	2427493	
5	11	Washer M 16 hot galvanized	2539078	
6	12	Hexagon nut M 16 hot galvanized	2481813	
7	4	Hexagon screw M8x16 hot galvanized	2427240	
8	4	Spring washer M8 hot galvanized	2534047	
9	4	Washer M8 hot galvanized	2539048	
10	6	Spring washer M16 hot galvanized	2539006	
11	1	Gearbox case universal	1312435	
12	1	Gearbox case combi / rod	1312290	
13	1	Hexagon screw M16x110 galvanized	2425503	
14	1	Hexagon nut M16 lock. galvanized	2483613	

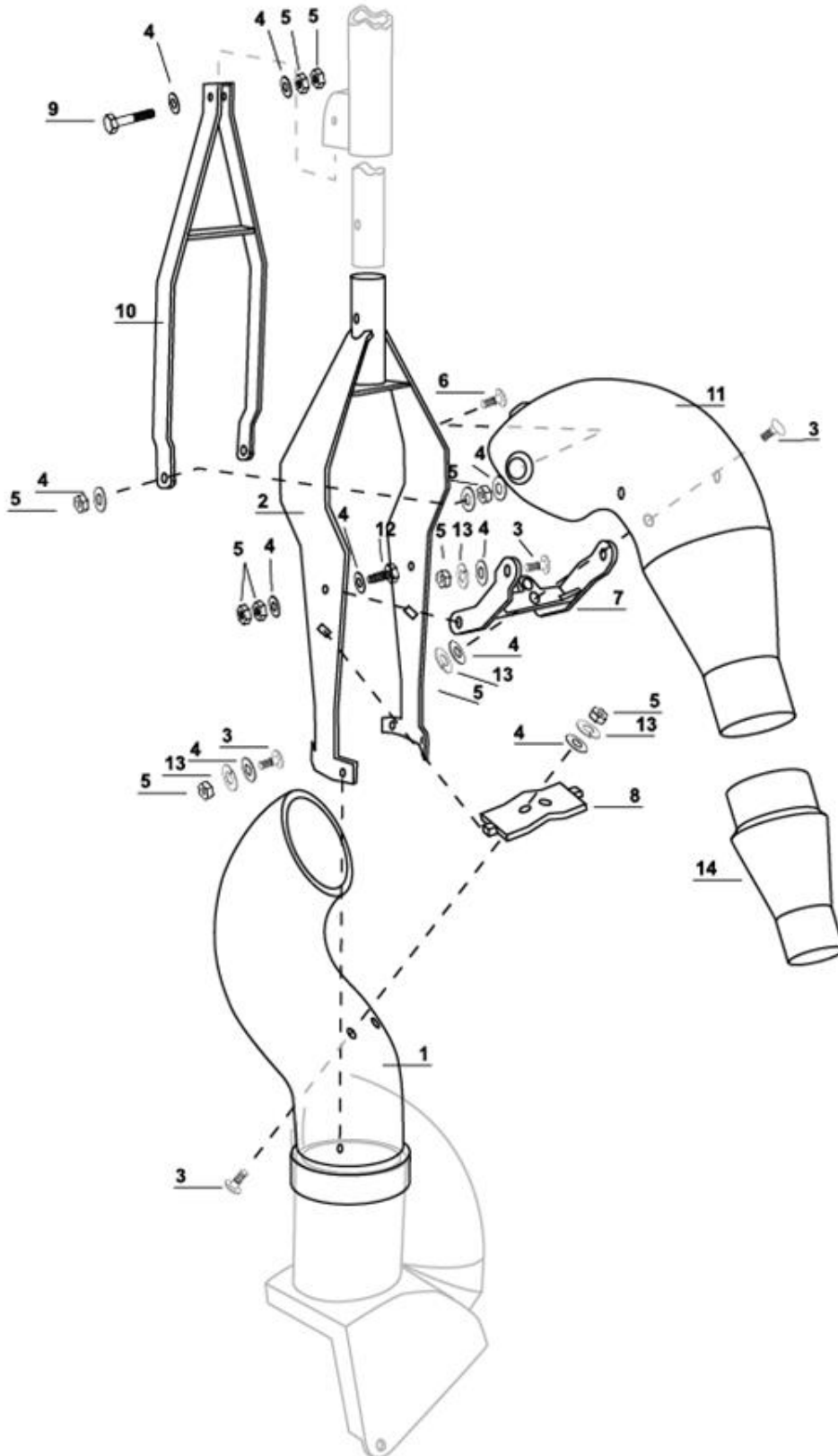


Spare parts catalogue

DUUN

Slurry pump SP400

	Agitator parts	Edition: 0703
--	----------------	---------------





Spare parts catalogue

DUUN

Slurry pump SP400

Agitator parts

Edition: 0703

Pos.no.	Qty.	Designation	Article no.	Comment
1	1	Lower stirring tube	2245095	
2	1	Operating part, rotation	1312447	
3	9	Locking head screw M 10x30 hot galvanized	2444312	
4	21	Washer M 10 hot galvanized	2539060	
5	19	Hexagon nut M 10 hot galvanized	2481810	
6	1	Locking head screw M 10x45 hot galvanized	2444315	
7	1	Attachment for nozzle bend	1312449	
8	1	Bracing	1312441	
9	1	Hexagon screw M10x70 hot galvanized	2427312	
10	1	Height adjustment fork	1312448	
11	1	Nozzle bend	2245096	
12	2	Hexagon screw M10x35 hot galvanized	2427301	
13	9	Spring washer M10 hot galvanized	2539000	
14	1	Nozzle Ø115 mm	2245098	



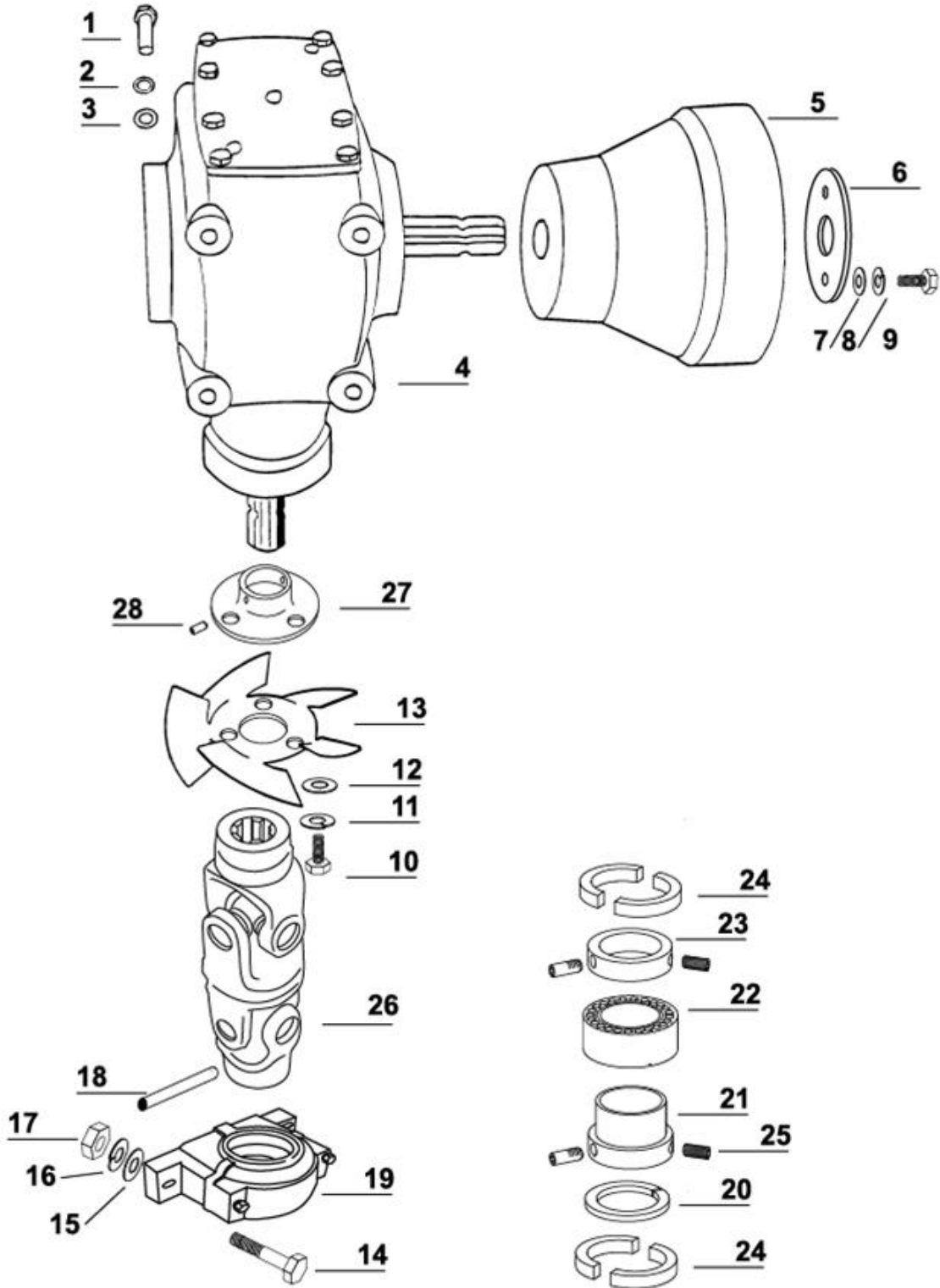
Spare parts catalogue

DUUN

Slurry pump SP400

Gearbox couplings and bearings

Edition: 0703





Spare parts catalogue

DUUN**Slurry pump SP400**

Gearbox couplings and bearings

Edition: 0703

Pos.no.	Qty.	Designation	Article no.	Comment
1	4	Hexagon screw M16x30 hot galvanized	2427485	
2	8	Spring washer M16 galvanized	2534078	
3	8	Washer M16 hot galvanized	2539078	
4	1	Gearbox 1:2,42 90gr. Comer	2961121	
4	1	Gearbox 1:1,60 90 gr. Comer	2961123	for SP400 no. 1312503+-505
5	1	Protection funnel	2962135	
5	1	Large, oval protective funnel	2962136	
6	1	Fixing washer Ø125	1312379	
7	2	Washer M8 hot galvanized	2539048	
8	2	Spring washer M8 galvanized	2534047	
9	2	Hexagon screw M8x25 hot galvanized	2427246	
10	3	Hexagon screw M6x10 galvanized	2422196	
11	3	Spring washer M6 galvanized	2534039	
12	3	Washer M6 galvanized	2531039	
12	3	Fan	1311848	
14	2	Hexagon screw M12x60 galvanized	2422359	
15	2	Spring washer M12 galvanized	2534069	
49	5	Washer M12 hot galvanized	2539069	
17	2	Hexagon nut M 12 hot galvanized	2481811	
18	1	Lock pin Ø13x70	2527130	
19	1	Bearing SNU 509	2954201	
20	1	Steering ring SR 85/7	2954203	
21	1	Lock sleeve for bearing	1312457	
22	1	Spherical roller bearing	2954200	
23	1	Lock washer	1312458	
24	2	Bearing seal U509.	2954202	
25	4	Unbraco M8x12	2473236	
26	1	Double joints, type 50 (unbalanced)	2962160	
27	1	Attachment for fan	1312013	
28	2	Unbraco M6x8	2473195	
	2,5	Gear oil Mereta 150	5310110	



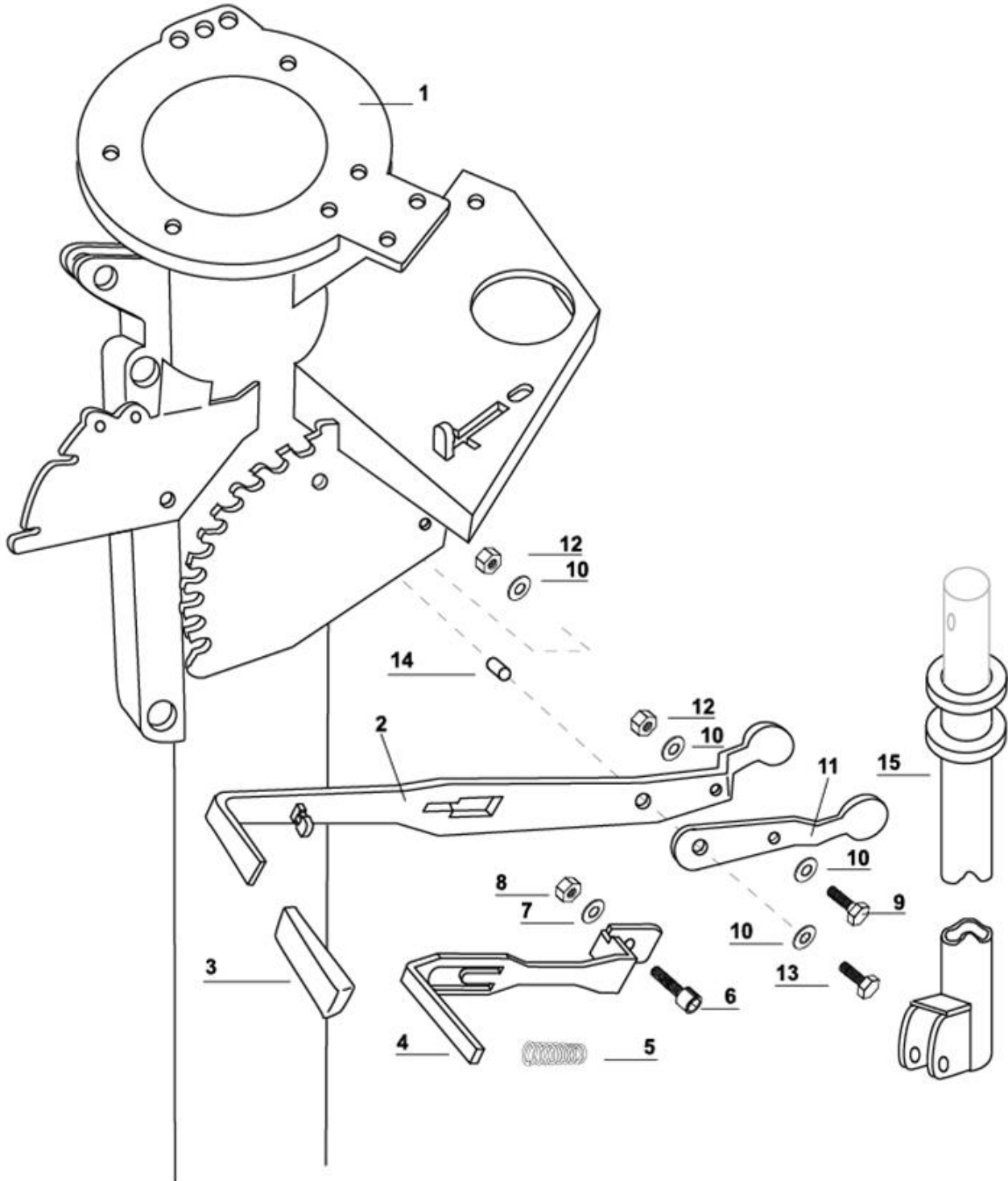
Spare parts catalogue

DUUN

Slurry pump SP400

Height maneuvering of the nozzle

Edition: 0702





Spare parts catalogue

DUUN

Slurry pump SP400

Height maneuvering of the nozzle

Edition: 0702

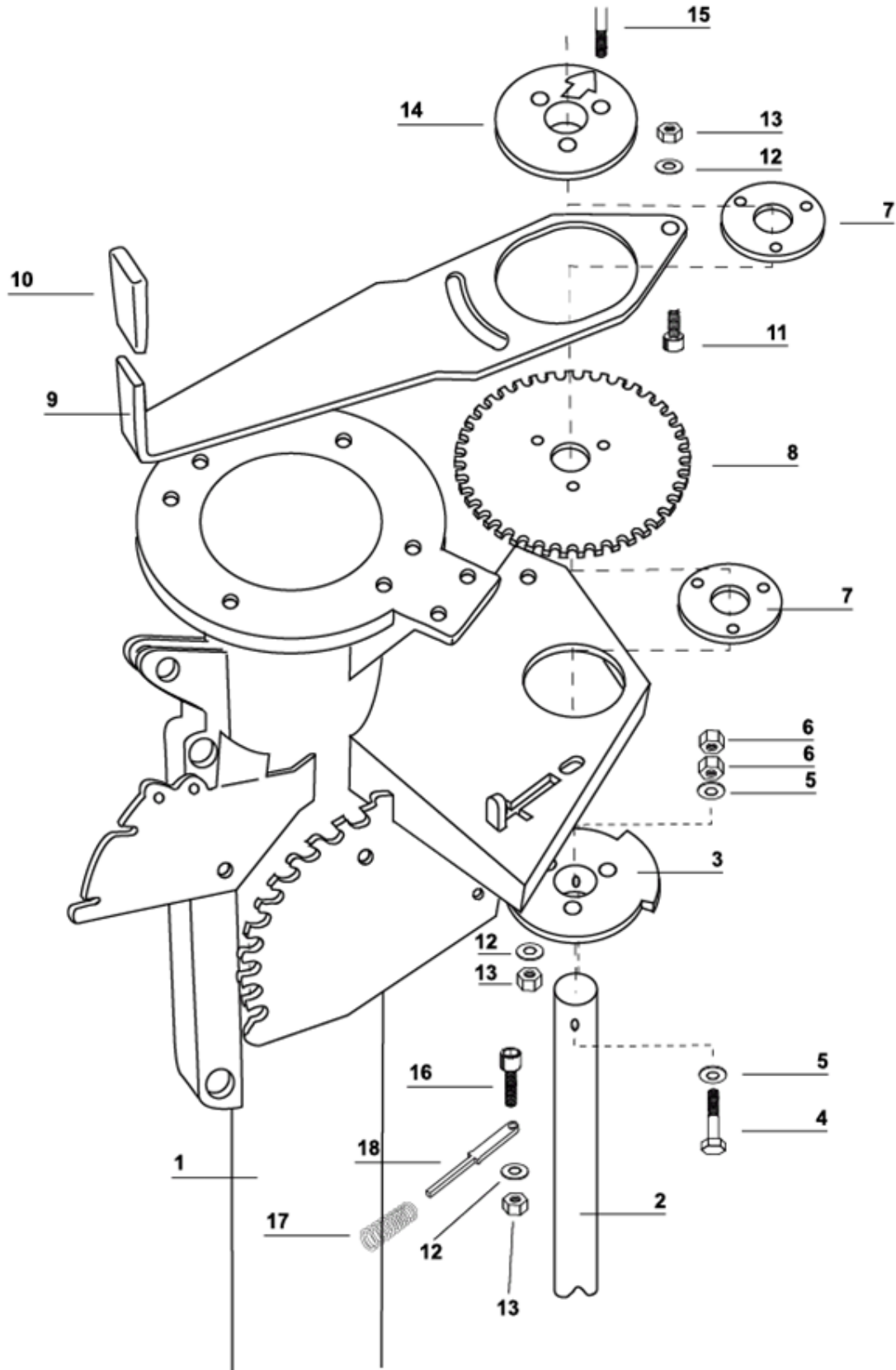
Pos.no.	Qty.	Designation	Article no.	Comment
1	1	Pump stem	1312431	
2	1	Handle, height man. of nozzle	1312446	
3	1	Plastic handle	2245062	
4	1	Locking handle	1312444	
5	1	Spring pressure Ø15x1,75 L:45	2912014	
6	1	Unbraco M 8x16, galvanized	2472310	
7	1	Washer M8 hot galvanized	2539048	
8	1	Hexagon nut M8 lock. galvanized	2483609	
9	1	Hexagon screw M10x30 hot galvanized	2427299	
10	1	Washer M10 hot galvanized	2539060	
11	1	Part for operating fork	1312445	
12	2	Hexagon nut M10 lock. galvanized	2483610	
13	1	Hexagon screw M10x35 hot galvanized	2428310	
14	1	Bushing	1312556	
15	1	Tube for height regulation L-3,4	1312273	
	1	Tube for height regulation L-3,9	1312274	
	1	Tube for height regulation L-4,4	1312275	



DUUN

Slurry pump SP400

	Side maneuvering of the nozzle	Edition: 0703
--	--------------------------------	---------------





Spare parts catalogue

DUUN

Slurry pump SP400

Side maneuvering of the nozzle

Edition: 0703

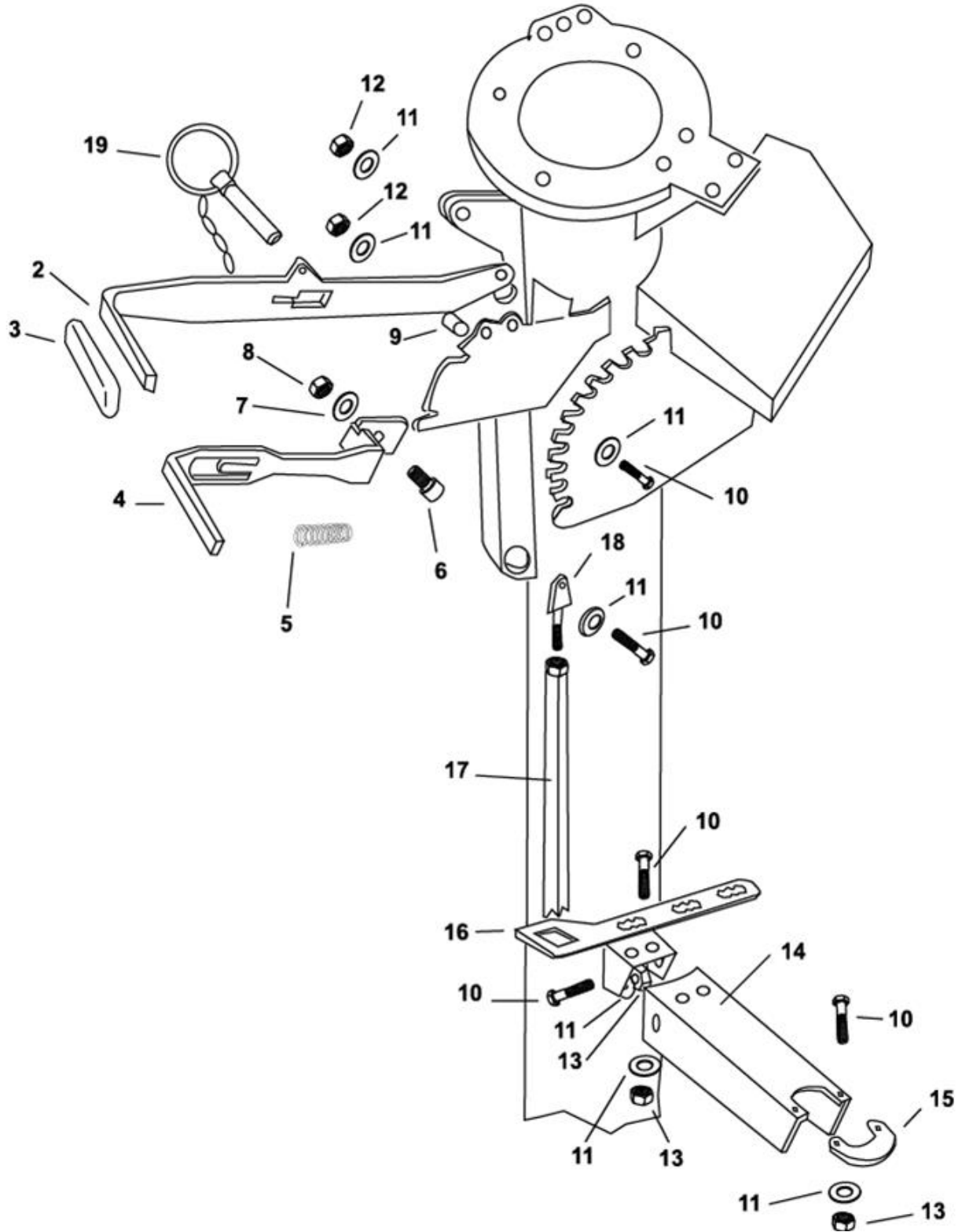
Pos.no.	Qty.	Designation	Article no.	Comment
1	1	Pump stem	1312431	
2	2	Strut for rotation L-3,4	1312276	
	1	Strut for rotation L-3,9	1312277	
	1	Strut for rotation L-4,4	1312278	
3	1	Rotation attachment for strut	1312340	
4	1	Hexagon screw M10x70 hot galvanized	2427312	
5	2	Washer M10 hot galvanized	2539060	
6	2	Hexagon nut M10 hot galvanized	2481810	
7	2	Spacer plate	1312343	
8	1	Cog wheel	1312344	
9	1	Handle for regulating rotation	1312341	
10	1	Plastic handle	2245062	
11	1	Unbraco M 8x16, galvanized	2472310	
12	5	Washer M8 hot galvanized	2539048	
13	5	Hexagon nut M8 lock. galvanized	2483609	
14	1	Rotation direction indicator	1312342	
15	3	Hexagon screw M8x50 hot galvanized	2427256	
16	1	Unbraco M 8x25, galvanized	2472315	
17	1	Spring pressure Ø15x1,75 L:45	2912014	
18	1	Lock pin rotation	1312345	



Spare parts catalogue
DUUN
Slurry pump SP400

Loading/stirring

Edition: 0703





Spare parts catalogue

DUUN**Slurry pump SP400**

Loading/stirring

Edition: 0703

Pos.no.	Qty.	Designation	Article no.	Comment
1	1	Pump stem	1312431	
2	1	Handle, loading/ stirring	1312440	
3	1	Plastic handle	2245062	
4	1	Locking handle	1312444	
5	1	Spring pressure Ø15x1,75 L:45	2912014	
6	1	Unbraco M 8x16, galvanized 2472310		
7	1	Washer M8 hot galvanized	2539048	
8	1	Hexagon nut M8 lock. galvanized	2483609	
9	1	Bushing	1311880	
10	1	Hexagon screw M10x30 hot galvanized	2427299	
11	10	Washer M10 hot galvanized	2539060	
12	2	Hexagon nut M10 lock. galvanized	2483610	
13	6	Hexagon nut M10 hot galvanized	2481810	
14	1	Support for strut (L- 3,4 and L-4,4)	1312383	
	1	Support for strut (L- 3,9)	1312560	
15	1	Locking plate for strut	1312381	
16	1	Steering for strut	1312382	
17	1	Strut, loading/stirring L-3,4	1312550	
	1	Strut, loading/stirring L-3,9	1312551	
	1	Strut, loading/stirring L-4,4	1312552	
18	1	Adjustment screw for strut	1312358	
19	1	Locking pin w/chain 10x45	2556127	

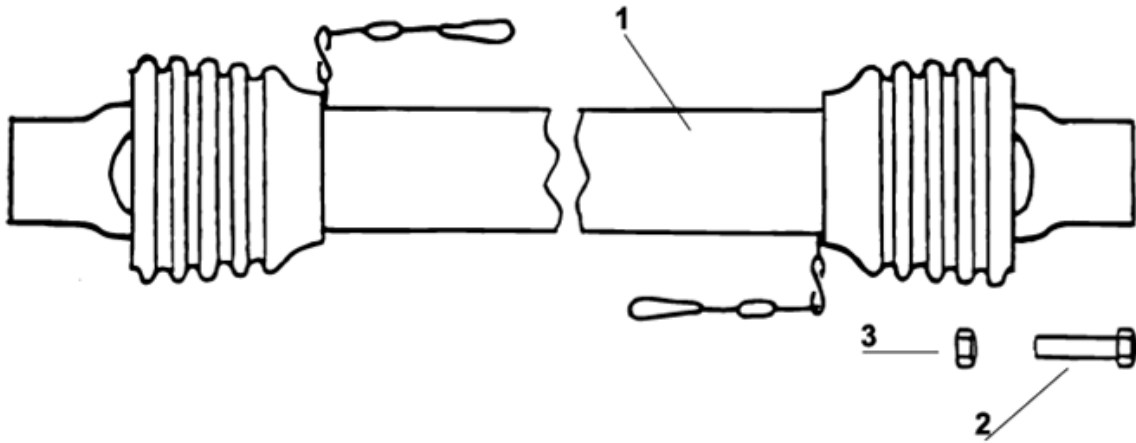


Spare parts catalogue

DUUN

Slurry pump SP400

	Power transmission shaft rod pump	Edition: 0703
--	-----------------------------------	---------------





Spare parts catalogue

DUUN

Slurry pump SP400

	Power transmission shaft rod pump	Edition: 0703
--	-----------------------------------	---------------

Pos.no.	Qty.	Designation	Article no.	Comment
1	1	Power transmission shaft L=1410 w/cutt.b	2962149	
2	1	Hexagon screw M10x60 qval. 8.8	2422310	
3	1	Hexagon nut M10 qval.8.8	2481610	

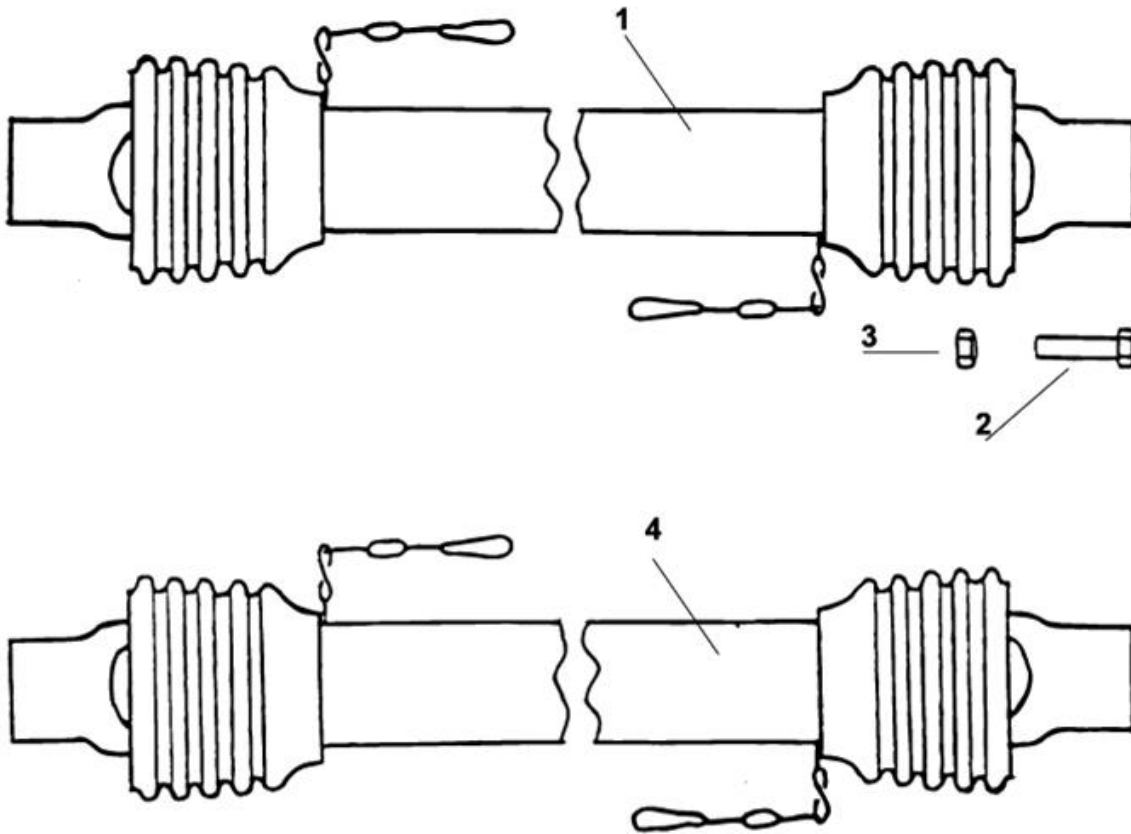


Spare parts catalogue

DUUN

Slurry pump SP400

	Power transmission shaft combined pump	Edition: 0703
--	--	---------------





Spare parts catalogue

DUUN

Slurry pump SP400

	Power transmission shaft combined pump	Edition: 0703
--	--	---------------

Pos.no.	Qty.	Designation	Article no.	Comment
1	1	Power transmission shaft L=610 w/cutt.b.	2962146	
2	1	Hexagon screw M10x60 qval. 8.8	2422310	
3	1	Hexagon nut M10 qval.8.8	2481610	
4	1	Power transmission shaft L=1410 without cutt.b.	2962147	

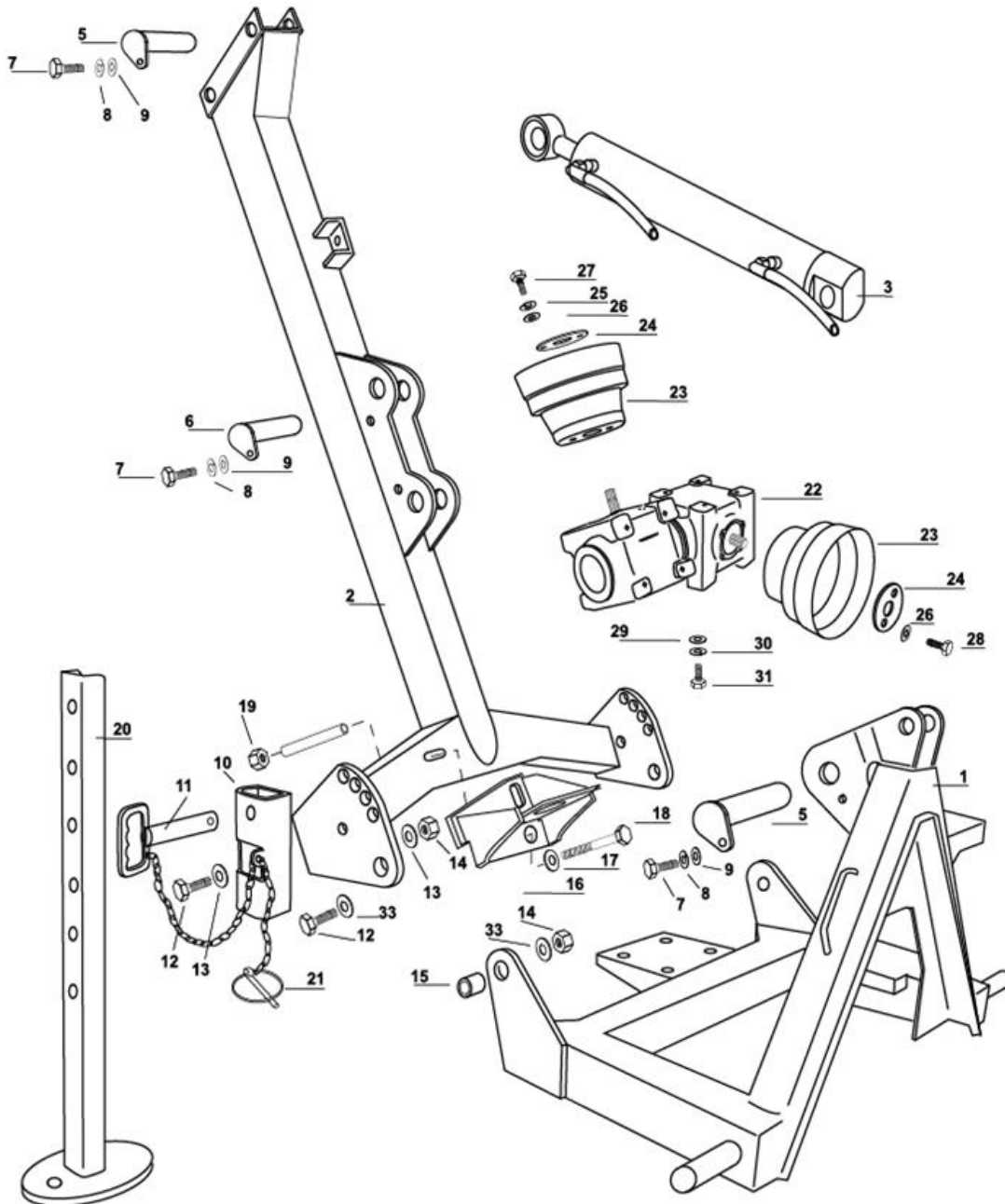


DUUN

Slurry pump SP400

Tractor attached combi pump

Edition: 0703





Spare parts catalogue

DUUN**Slurry pump SP400**

Tractor attached combi pump

Edition: 0703

Pos.no.	Qty.	Designation	Article no.	Comment
1	1	Three-point linkage	1312284	
2	1	Pump attachment	1312291	
3	1	Hydraulic cylinder for combi pump	1312364	
5	3	Bolt for cylinder/strut with three-point linkage	1312365	
6	1	Bolt for cylinder/strut at boom	1312292	
7	2	Hexagon screw M10x20 galvanized	2422295	
8	2	Spring washer M10 galvanized	2534060	
9	2	Washer M10 galvanized	2531060	
10	2	Holder for support leg	1311942	
11	2	Adjustment bolt for support leg	1311944	
12	4	Hexagon screw M20x65	2422578	
13	4	Washer M16 galvanized	2531078	
14	4	Hexagon nut M 20 locking, galvanized	2483615	
15	2	Bushing	1312288	
16	1	Support bracket for gearbox	1312295	
17	2	Washer M12 galvanized	2531069	
18	1	Hexagon screw M12x180 galvanized	2422372	
19	1	Hexagon nut M 12 locking, galvanized	2483611	
20	2	Support leg	1312497	
21	2	Locking pin w/chain	2556127	
22	1	Gearbox, 1:1 Comer	2961180	
22	1	Gearbox 1:1,35 Comer	2961182	for SP400 1312503+
			1312505	
23	2	Protection funnel	2962135	
24	2	Fixing washer	1312379	
25	2	Spring washer M8 galvanized	2534047	
26	4	Washer M8 hot galvanized	2531047	
27	2	Hexagon screw M8x25 hot galvanized	2427246	
28	2	Hexagon screw M8x16 hot galvanized	2427240	
29	4	Washer M12 galvanized	2531069	
30	4	Spring washer M12 galvanized	2534069	
31	4	Hexagon screw M12x30 galvanized	2422348	
32	4	Washer Ø22/Ø60	1312287	
33	1	Spacer tube	1312294	

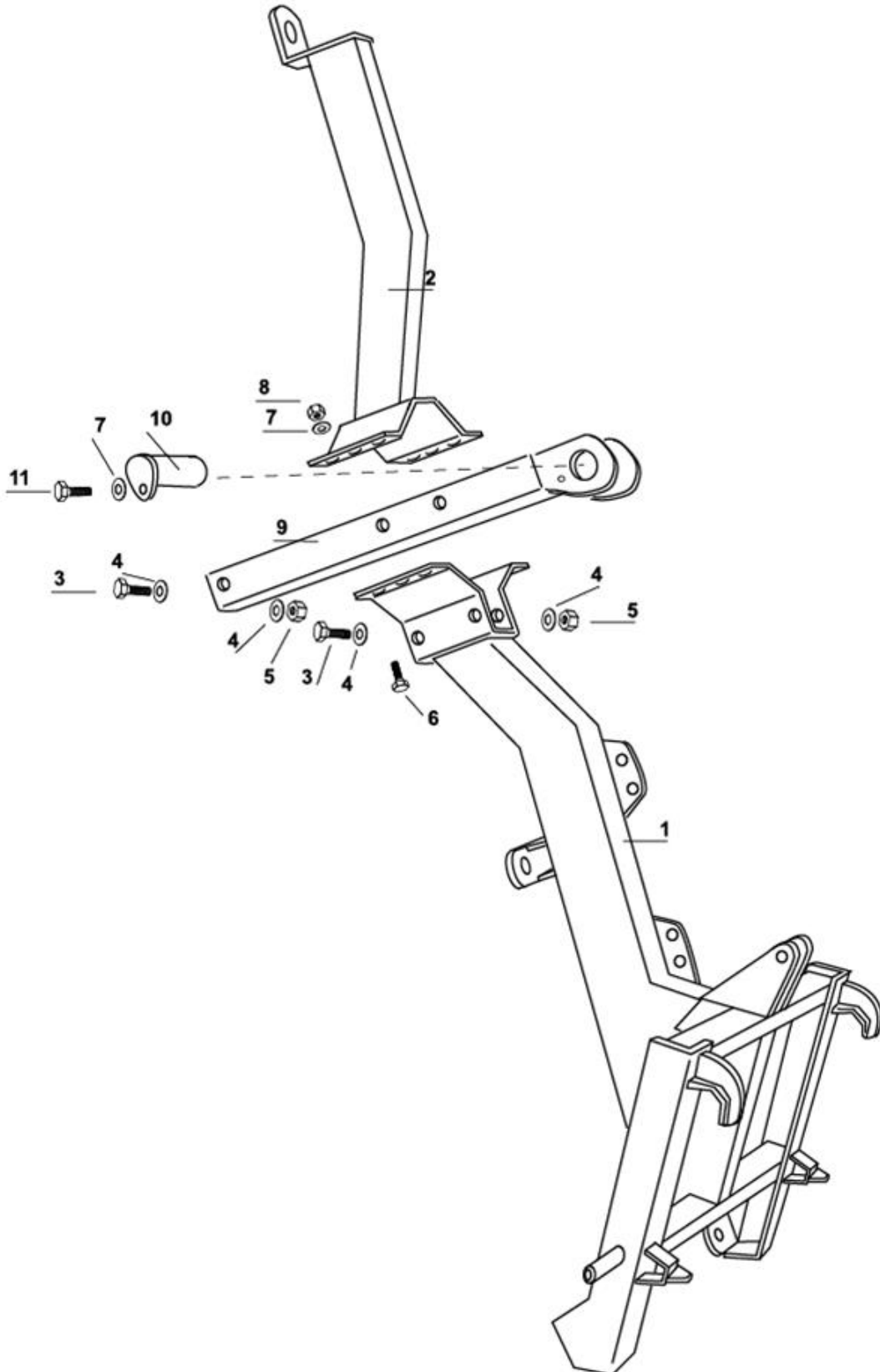


Spare parts catalogue

DUUN

Slurry pump SP400

	Rod pump tractor Trima SMS attachment	Edition: 0703
--	---------------------------------------	---------------





Spare parts catalogue

DUUN

Slurry pump SP400

Rod pump tractor Trima SMS attachment

Edition: 0703

Pos.no.	Qty.	Designation	Article no.	Comment
1	1	Loading frame Trima SMS	1312561	
2	1	Support arm	1312562	
3	4	Hexagon screw M16x150 galvanized	2422507	
4	8	Washer M16 galvanized	2531078	
5	4	Hexagon nut M16 lock. galvanized	2483613	
6	6	Hexagon screw M10x30 galvanized	2422299	
7	6	Washer M10 galvanized	2531060	
8	6	Hexagon nut M10 lock. galvanized	2483610	
9	1	Support rail	1312563	
10	1	Bolt	1312365	
11	1	Hexagon screw M10x20 galvanized	2422295	



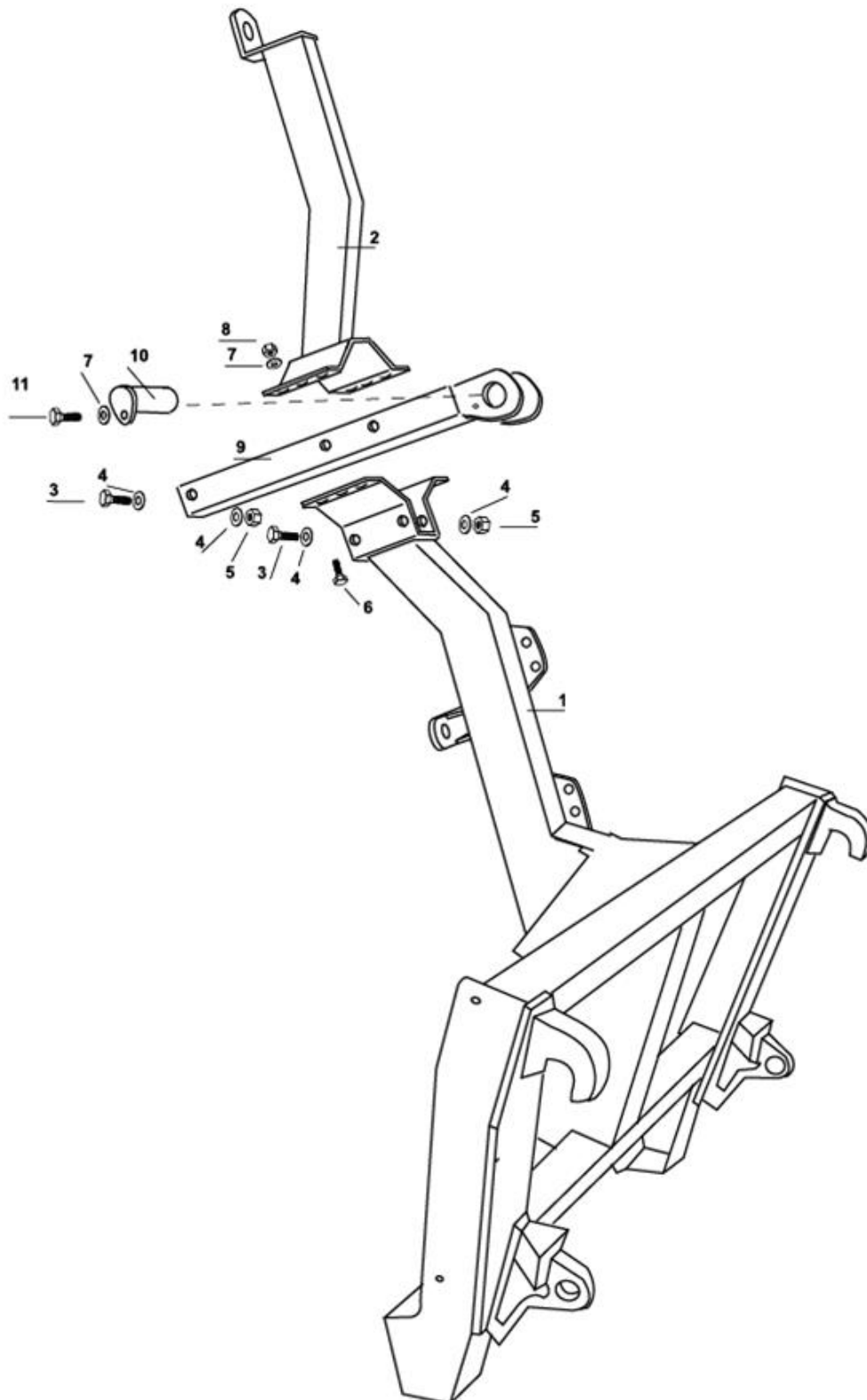
Spare parts catalogue

DUUN

Slurry pump SP400

Rod pump tractor Euro attachment

Edition: 0703





Spare parts catalogue

DUUN

Slurry pump SP400

Rod pump tractor Euro attachment

Edition: 0703

Pos.no.	Qty.	Designation	Article no.	Comment
1	1	Loading frame EURO	1312920	
2	1	Support arm	1312562	
3	4	Hexagon screw M16x150 galvanized	2422507	
4	8	Washer M16 galvanized	2531078	
5	4	Hexagon nut M16 lock. galvanized	2483613	
6	6	Hexagon screw M10x30 galvanized	2422299	
7	6	Washer M10 galvanized	2531060	
8	6	Hexagon nut M10 lock. galvanized	2483610	
9	1	Support rail	1312563	
10	1	Bolt	1312365	
11	1	Hexagon screw M10x20 galvanized	2422295	

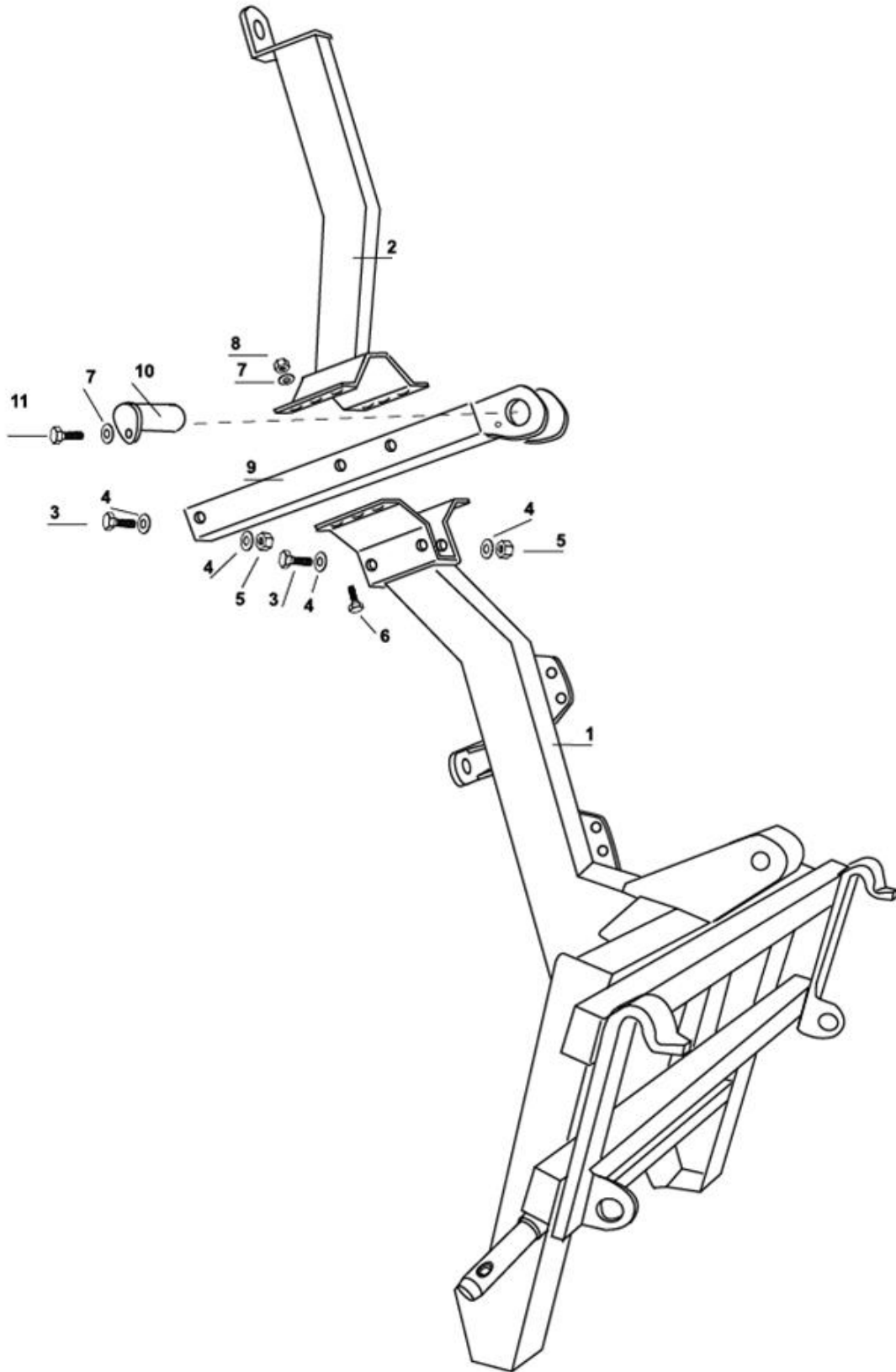


Spare parts catalogue

DUUN

Surry pump SP400

	Rod pump tractor Ålø attachment	Edition: 0703
--	---------------------------------	---------------





Spare parts catalogue

DUUN

Surry pump SP400

Rod pump tractor Ålø attachment

Edition: 0703

Pos.no.	Qty.	Designation	Article no.	Comment
1	1	Loading frame ÅLØ	1312910	
2	1	Support arm	1312562	
3	4	Hexagon screw M16x150 galvanized	2422507	
4	8	Washer M16 galvanized	2531078	
5	4	Hexagon nut M16 lock. galvanized	2483613	
6	6	Hexagon screw M10x30 galvanized	2422299	
7	6	Washer M10 galvanized	2531060	
8	6	Hexagon nut M10 lock. galvanized	2483610	
9	1	Support rail	1312563	
10	1	Bolt	1312365	
11	1	Hexagon screw M10x20 galvanized	2422295	

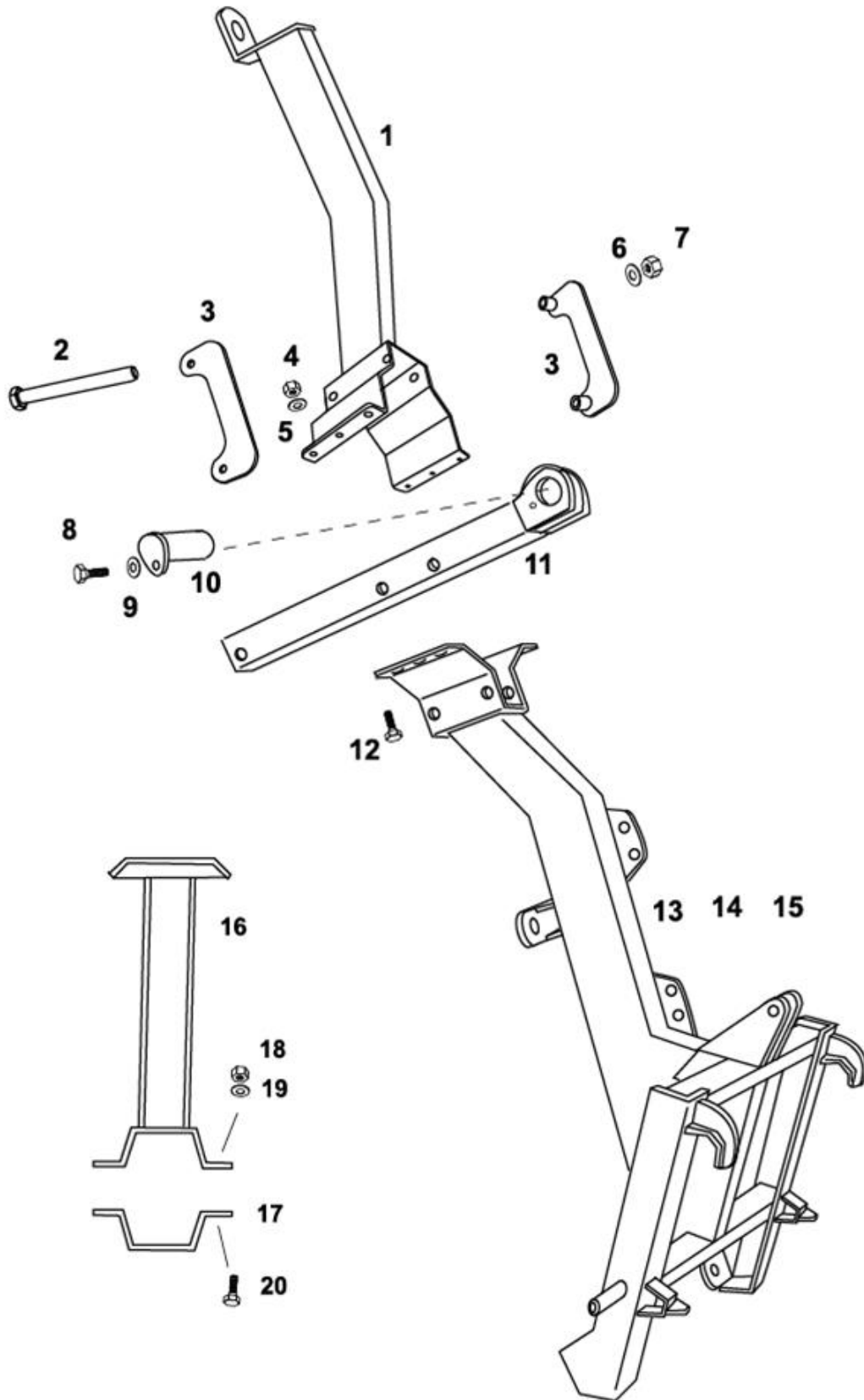


Spare parts catalogue

DUUN

Slurry pump SP400

	Tractor attachment, mirrored rod pump	Edition: 0703
--	---------------------------------------	---------------





Spare parts catalogue

DUUN

Slurry pump SP400

Tractor attachment, mirrored rod pump

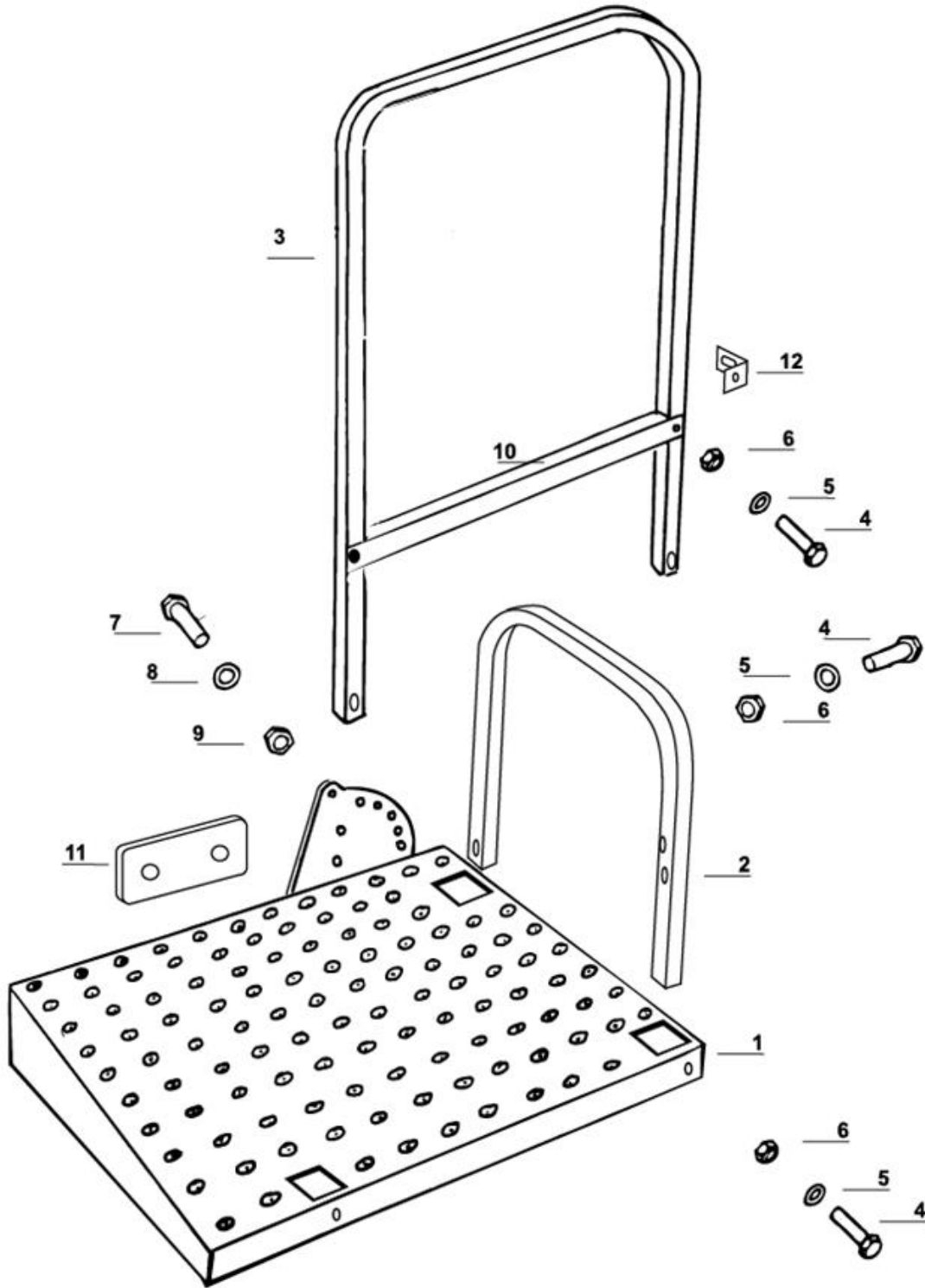
Edition: 0703

Pos.no.	Qty.	Designation	Article no.	Comment
1	1	Support arm for mirrored rod pump	1312576	
2	4	Hexagon screw M16x260	2422515	
3	4	Reinforcement plate	1312579	
4	6	Hexagon nut M10locking galvanized	2483610	
5	6	Washer M10 galvanized	2531060	
6	4	Washer M16 galvanized	2531078	
7	4	Hexagon nut M16 locking galvanized	2483613	
8	1	Hexagon screw M10x20 galvanized	2422295	
9	1	Washer M10 galvanized	2531060	
10	1	Bolt	1312365	
11	1	Support rail	1312563	
12	6	Hexagon screw M10x30 galvanized	2422299	
13	1	Loading frame TRIMA SMS	1312561	
14	1	Loading frame ÅLØ	1312591	
15	1	Loading frame EURO	1312592	
16	1	Support leg for mirrored standard pump	1312542	
17	1	Tube clamp lower mirror facing st.pump	1312541	
18	4	Hexagon nut M10 galvanized	2483610	
19	4	Washer M10 galvanized	2531060	
20	4	Hexagon screw M10x30 galvanized	2422299	



Spare parts catalogue
DUUN
Slurry pump SP400

	Work platform	Edition: 0703
--	---------------	---------------





Spare parts catalogue

DUUN

Slurry pump SP400

Work platform

Edition: 0703

Pos.no.	Qty.	Designation	Article no.	Comment
1	1	Platform	1312367	
2	1	Handrail, narrow	1312385	
3	1	Handrail, wide	1312378	
4	7	Hexagon screw M8x45 galvanized	2427254	
5	7	Washer M8 galvanized	2531047	
6	7	Hexagon nut M8 lock. galvanized	2483609	
7	1	Hexagon screw M16x60 galvanized	2422495	
8	1	Washer M16 galvanized	2531078	
9	1	Hexagon nut M16 lock. galvanized	2483613	
10	1	Handrail part	1312386	
11	1	Spacer plate	1312384	
12	1	Fastening for handrails	1311981	



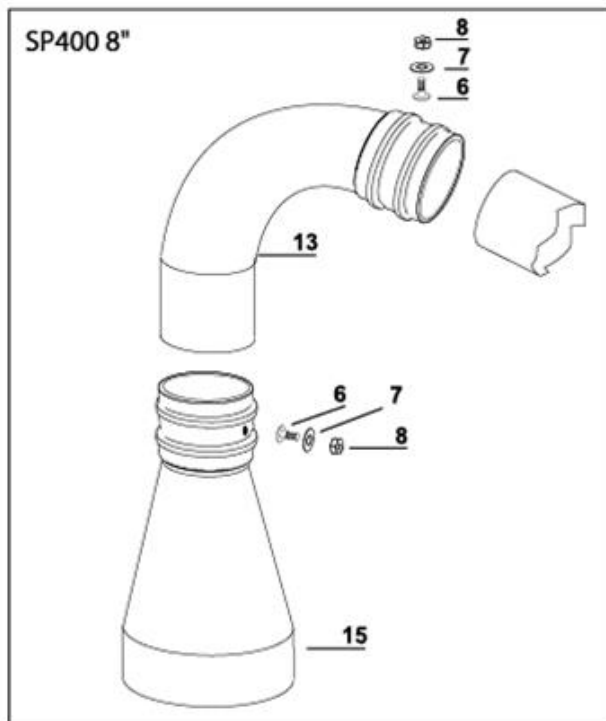
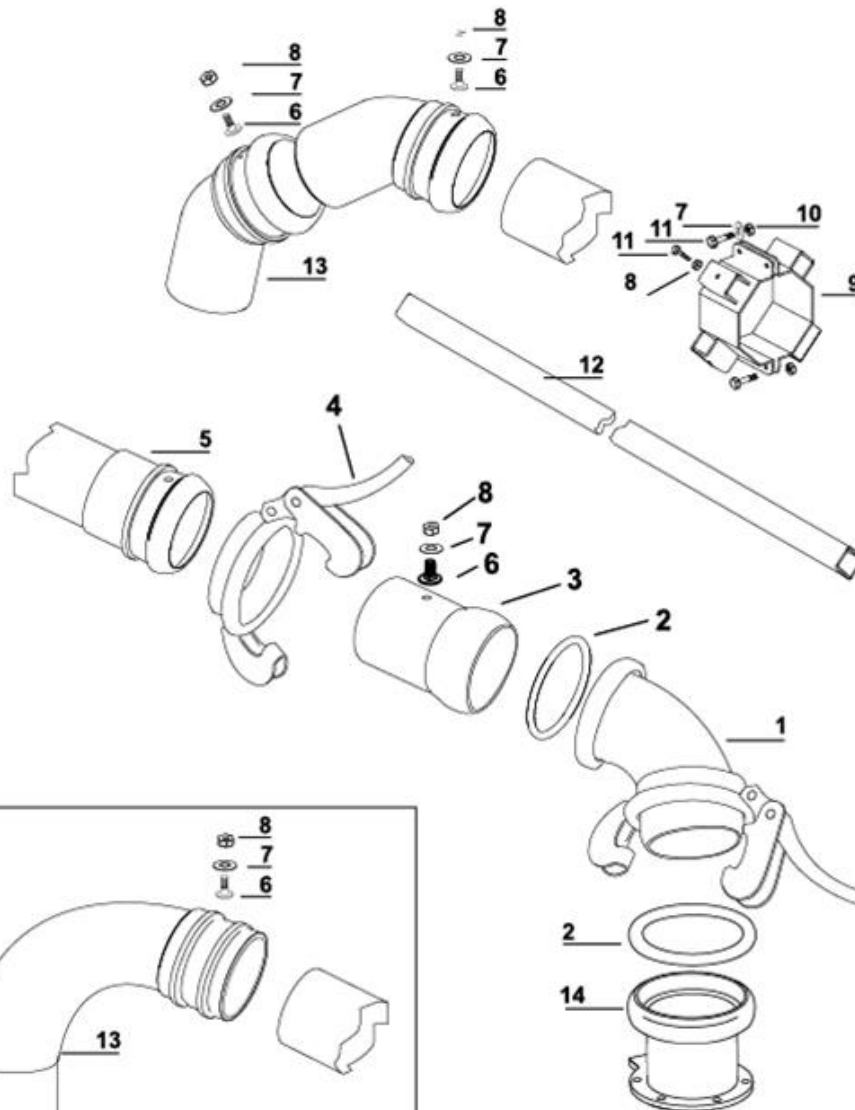
Spare parts catalogue

DUUN

Slurry pump SP400

6-8" loading system and rack for combi

Edition: 0703





Spare parts catalogue

DUUN**Slurry pump SP400**

6-8" loading system and rack for combi

Edition: 0703

Pos.no.	Qty.	Designation	Article no.	Comment
6"				
1	1	Bauer coupling 6" male/female with 60' bend	1312020	
1	1	Bauerkobl. 6" male/female w/45' bend	1312021	
1	1	Bauerkobl. 6" male/female w/90' bend	1312022	
2	2	O-ring Ø159, included in bend	2957104	
3	1	Bauer coupling 6" male w/tube ø 159	2957105	
4	1	Clamp ring for bauer coupling	2957109	
5	1	Plastic tube PP 6" w/socket L: 4m	2244215	
6	3	Locking head screw M8x25 A4	2441246	
7	7	Washer M8 A4	2537047	
8	5	Hexagon nut M8 A4	2489409	
9	2	Loading tube stand	1312026	
10	4	Locking nut M8	2483609	
11	6	Hexagon screw M8x25 hot galvanized	2427246	
12	2	Legs for rack L=3m	1311899	
13	2	Plastic bend PP 45'	2245080	
14	1	Bauer 6" female, with flange	1312450	
8"				
1	1	Bauer coupling 8" male/female with 60' bend	1312453	
1	1	Bauerkobl. 8" male/female w/90' bend	1312454	
2	2	O-ring Ø200, included in bend	2957099	
3	1	Bauer coupling 8" male w/tube ø200	1312451	
4	1	Clamp ring for Bauer coupling 8"	2957183	
5	1	Plastic tube PP 8" w/socket L: 4m	2244218	
6	3	Locking head screw M8x25 A4	2441246	
7	7	Washer M8 A4	2537047	
8	5	Hexagon nut M8 A4	2489409	
9	2	Loading tube rack	1312470	
10	4	Locking nut M8	2483609	
11	6	Hexagon screw M8x25 hot galvanized	2427246	
12	2	Legs for rack L=4m	1312471	
13	2	Plastic bend 90'	2245087	
14	1	Bauer 8" female, with flange	1312452	
15	1	Diffuser	2245086	

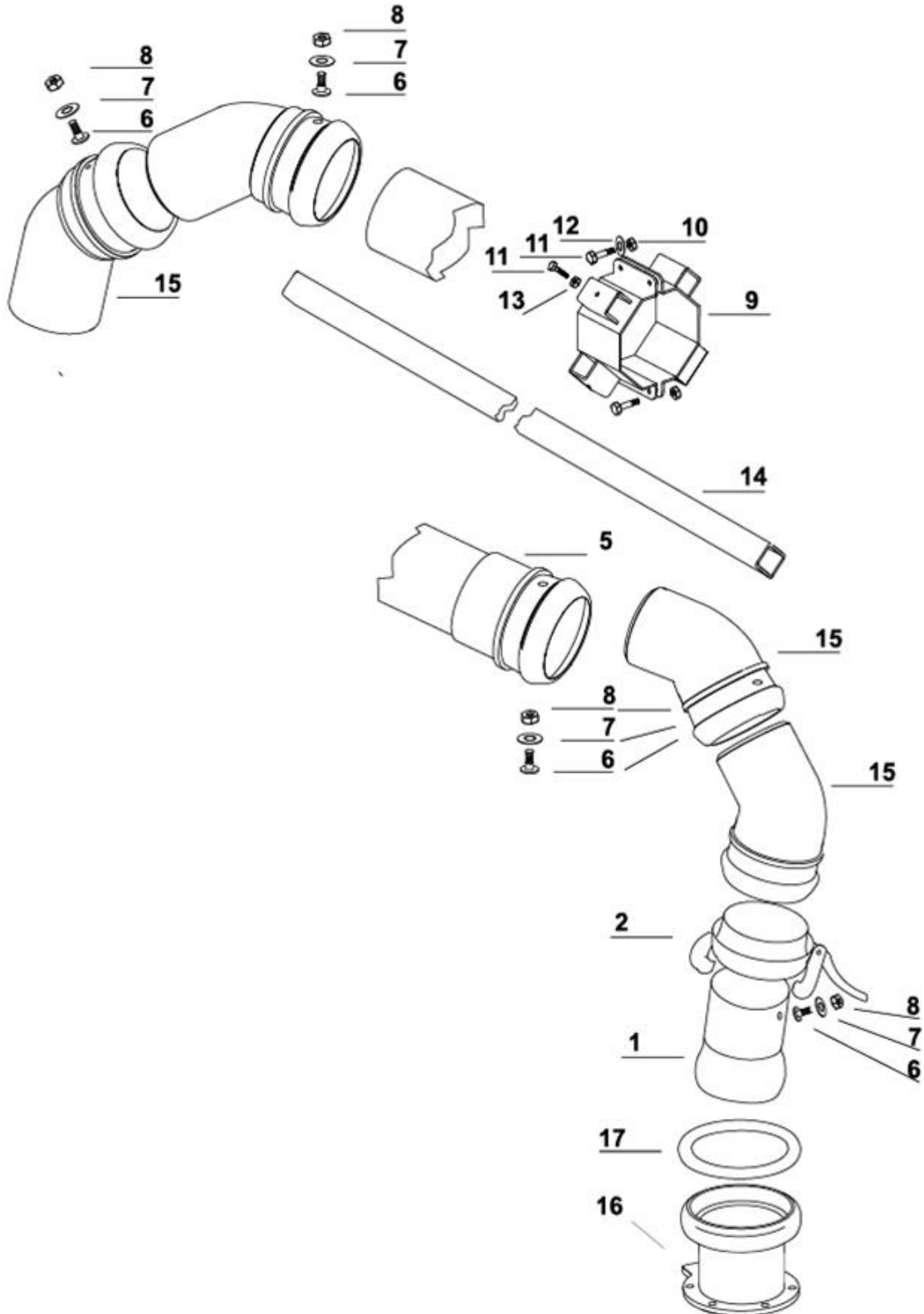


Spare parts catalogue

DUUN

Slurry pump SP400

	6 inch loading system and rack for rod pump	Edition: 0703
--	---	---------------





Spare parts catalogue

DUUN

Slurry pump SP400

6 inch loading system and rack for rod pump

Edition: 0703

Pos.no.	Qty.	Designation	Article no.	Comment
1	1	Bauer coupling 6" male w/tube socket, ø 159	2957105	
2	1	Clamp ring for bauer coupling 6"	2957109	
5	1	Plastic tube PP 6" w/sleeve L: 4m	2244215	
6	5	Locking head screw M8x25 A4	2441246	
7	5	Washer M8 A4	2537047	
8	5	Hexagon nut M8 A4	2489409	
9	2	Loading tube rack	1312026	
10	4	Locking nut M8 galvanized	2483609	
11	6	Hexagon screw M8x25 hot galvanized	2427246	
12	4	Washer M8 hot galvanized	2539048	
13	4	Hexagon nut M8 hot galvanized	2481809	
14	2	Legs for rack L=3m	1311899	
15	4	Plastic bend PP 45°	2245080	
16	1	Bauer 6" female with flange	1312450	
17	1	O-ring Ø159	2957104	



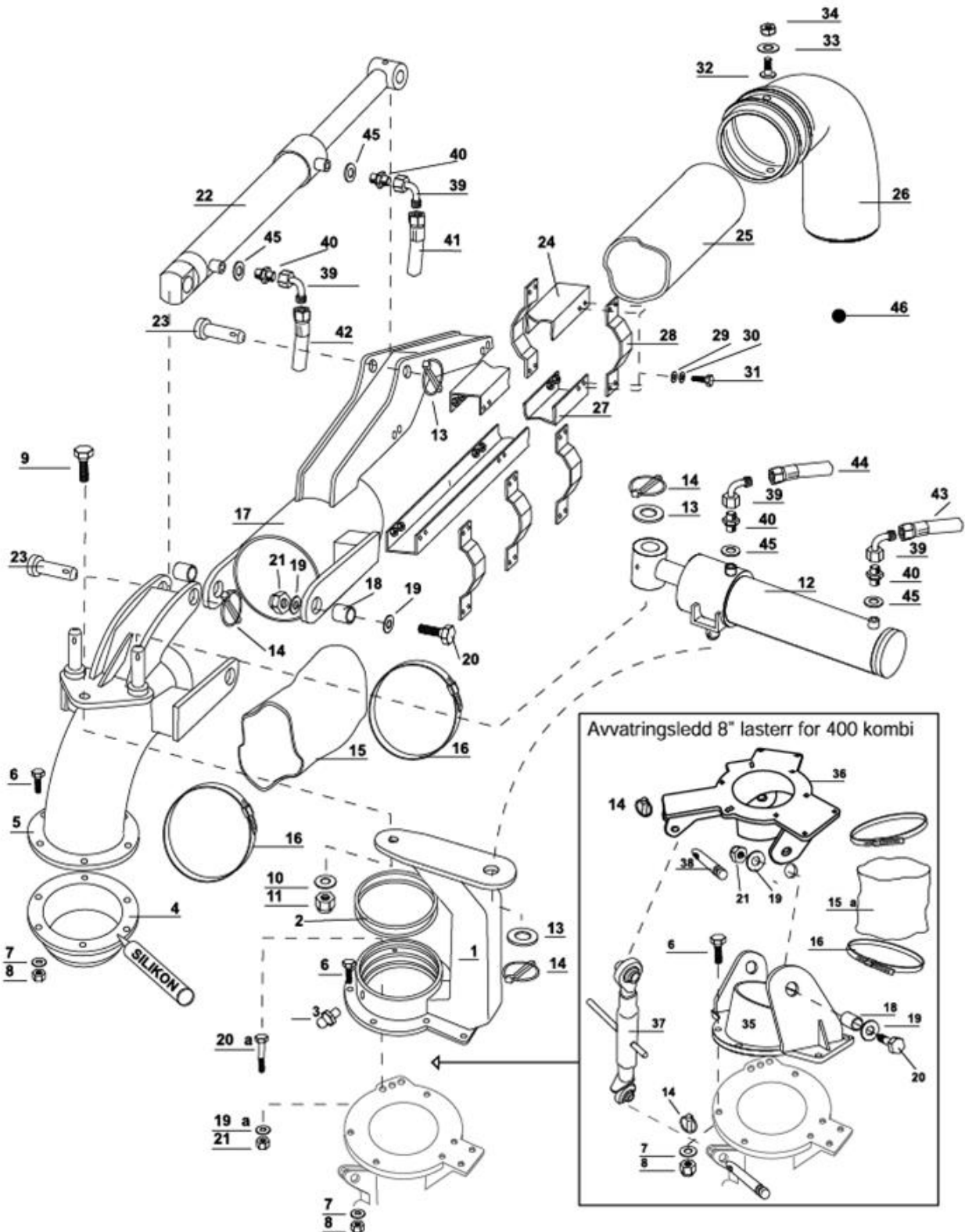
Spare parts catalogue

DUUN

Slurry pump SP400

8" combination pump loading system

Edition: 0703





Spare parts catalogue

DUUN**Slurry pump SP400**

8" combination pump loading system

Edition: 0703

Pos.no.	Qty.	Designation	Article no.	Comment
1	1	Arm w/swivel for loading tube	1312494	
2	2	O-ring Ø189,9x7	2233190	
3	2	Grease nipple R 1/8"	2478410	
4	1	Inner tube on swivel	1312472	
5	1	Load tube bend	1312475	
6	6	Hexagon screw M12x50 8.8 galvanized	2422356	
7	6	Washer M12 8.8 galvanized	2481611	
8	6	Hexagon nut M12 8.8 galvanized	2481611	
9	1	Hexagon screw M20x60 8.8 galvanized	2422576	
10	1	Washer M20 8.8 galvanized	2531086	
11	1	Locking nut M20 galvanized	2483615	
12	1	Hydraulic cylinder swing Ø70x200	1312280	Details p.78/79
13	2	Washer Ø50/Ø31	1312283	w/ hoses
14	4	Linchpin Ø10	2556142	
15	1	Plastic hose 8"	2244266	
16	2	Hose clamp PA-RI 210	2544280	
17	1	Transition hose/loading pipe	1312476	
18	2	Sleeve	1312377	
19	4	Washer M16 varmgalv.	2539078	
20	2	Hexagon screw M16x60 hot galvanized	2427495	
21	2	Locking nut M16 galvanized	2483613	
22	1	Hydraulic cylinder for raising/lowering the loading tube	1312459	Details p.78/79
23	2	Bolt lift cylinder loading tube	1312481	w/ hoses
24	1	Upper brace for tube	1312479	
25	1	Loading tube PP L:400 Ø200	2244218	
26	1	45° bend PP Ø200	2245087	
27	1	Lower braces for tubes	1312480	
28	2	Tube clamps	1312478	
29	16	Washer M10 hot galvanized	2539060	
30	16	Lock washer M10 hot galvanized	2539000	
31	16	Hexagon screw M10x25 hot galvanized	2427297	
32	4	Locking head screw M8x25 A4	2441246	
33	4	Washer M8 A4	2537047	
34	4	Hexagon nut M8 A4	2489409	
35	1	Drainage part, lower	1312566	
36	1	Drainage part, upper	1312567	
37	1	Turnbuckle	2551710	
38	2	Lock bolt for turnbuckle Ø19x97	2526322	
39	4	Swivel nipple 90° BSP 1/4" ext. - 1/4" swivel	2957770	
40	4	Hexagon nipple BSP R3/8" ext. -R1/4" ext	2957762	
41	1	Hydraulics 1/4" loading tube up/down L=3.09m	2958129	
42	1	Hydraulics 1/4" loading tube up/down L=2.68m	2958130	
43	1	Hydraulics 1/4" loading tube rotation L=1.77m	2958127	
44	1	Hydraulics 1/4" loading tube rotation L=1.68m	2958128	
45	2	Hydraulic seal 3/8" BSP	2957890	
46	1	Diffuser (optional)	2245086	

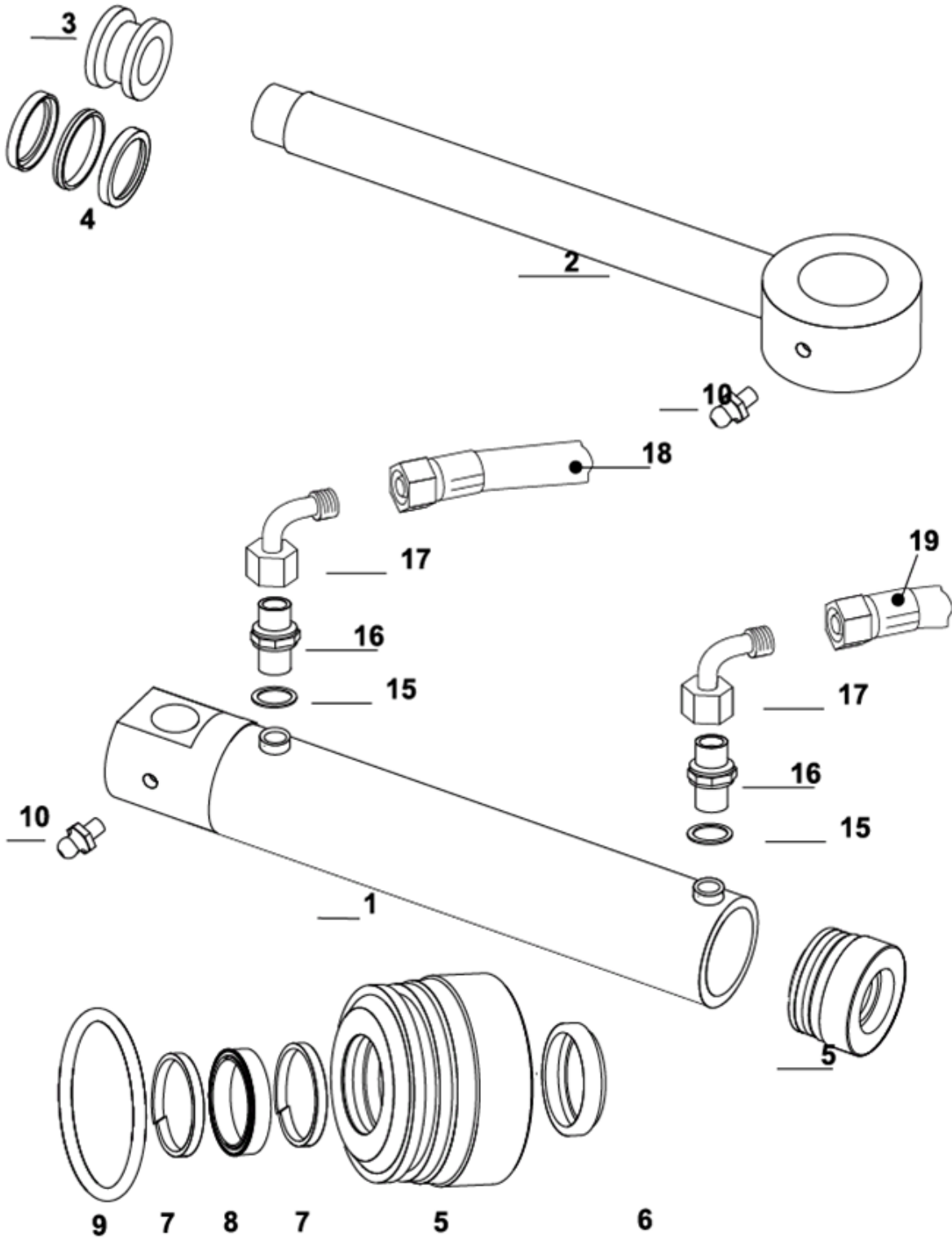


Spare parts catalogue

DUUN

Slurry pump SP400

	Hydraulic loading combined system	Edition: 0703
--	-----------------------------------	---------------





Pos.no.	Qty.	Designation	Article no.	Comment
---------	------	-------------	-------------	---------

Cylinder for bend loading tube

1	1	Cylinder tube	1312281	
2	1	Piston rod	1312282	
3	1	Piston	1312455	
4	1	Compact seal SIMKO 320 70 - 58 -14 – 28	2234370	
5	1	Package box	1311925	
6	1	Wiper AUAS 32-45-7-10	2232832	
7	2	Guide band	1311927	
8	1	Compact seal KL310 32-42-8-10	2230135	
9	1	O-ring Ø70-5	2233065	
10	2	Grease nipple	2478410	
15	1	Hydraulic seal 3/8" BSP	2957890	
16	1	Hexagon nipple R3/8"-1/4" BSP	2957762	
17	1	Swivel nipple 90° BSP 1/4" ext. - 1/4" swivel	2957770	
18	1	Hydraulic hose 1/4" L-1,77	2958127	
19	1	Hydraulic hose 1/4" L-1,68	2958128	
		Complete hydraulic cylinder with hoses	1312280	

Cylinder for raising/lowering Cylinder tube

1	1	Cylinder tube	1312460	
2	1	Piston rod	1312461	
3	1	Piston	1312455	
4	1	Compact seal SIMKO 320 70 - 58 -14 – 28	2234370	
5	1	Package box	1311925	
6	1	Wiper AUAS 32-45-7-10	2232832	
7	2	Guide band	1311927	
8	1	Compact seal KL310 32-42-8-10	2230135	
9	1	O-ring Ø70-5	2233065	
10	2	Grease nipple	2478410	
15	1	Hydraulic seal 3/8" BSP	2957890	
16	1	Hexagon nipple R3/8"-1/4" BSP	2957762	
17	1	Swivel nipple 90° BSP 1/4" ext. - 1/4" swivel	2957770	
18	1	Hydraulic hose 1/4" L-2,68	2958130	
19	1	Hydraulic hose 1/4" L-3,09	2958129	
		Complete hydraulic cylinder with hoses		

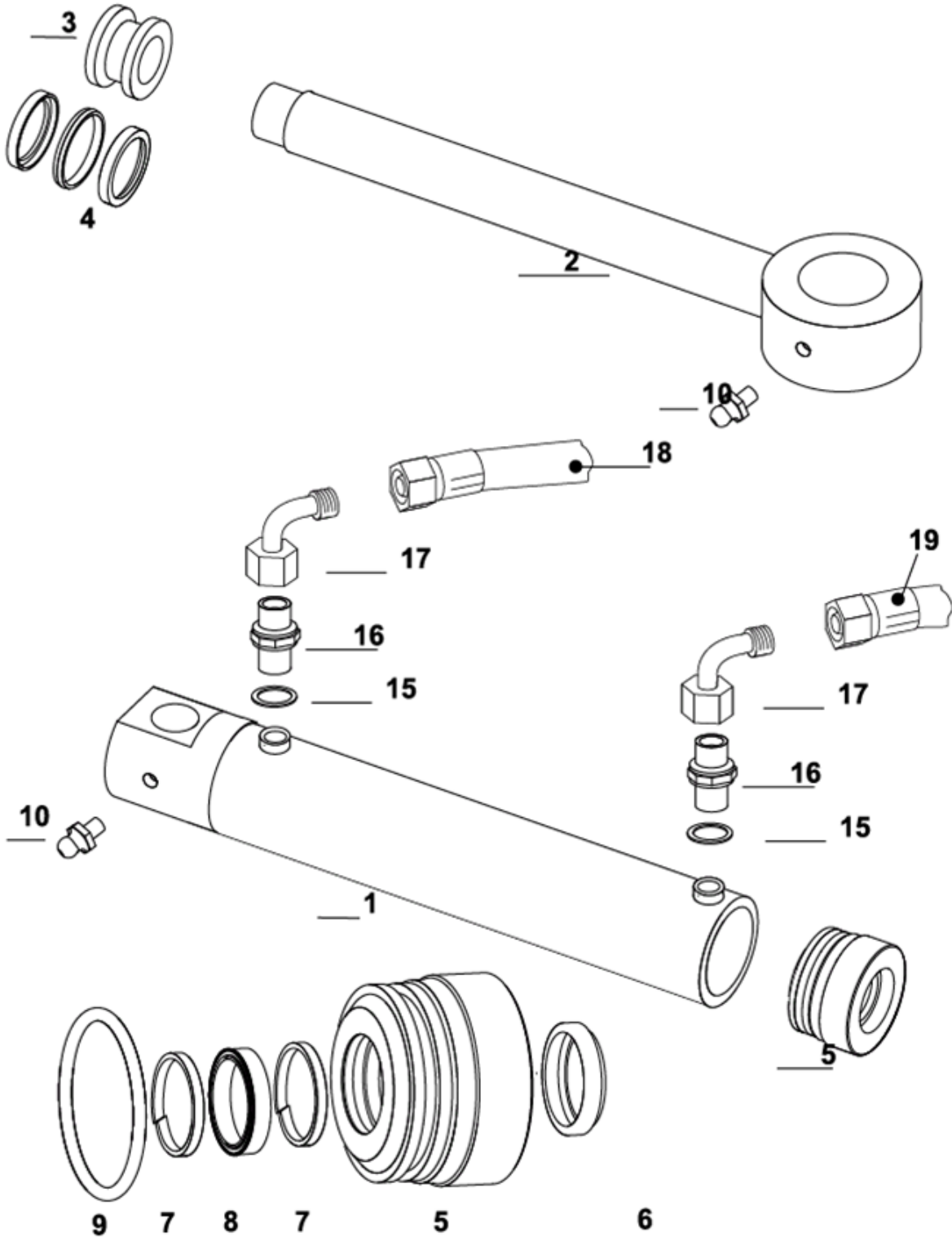


Spare parts catalogue

DUUN

Slurry pump SP400

	Combinated hydraulic lift	Edition: 0703
--	---------------------------	---------------





Spare parts catalogue

DUUN**Slurry pump SP400**

Combinated hydraulic lift

Edition: 0703

Pos.no.	Qty.	Designation	Article no.	Comment
1	1	Cylinder tube	1312362	
2	1	Piston rod	1312363	
3	1	Piston	1235153	
4	1	Compact seal SIMKO 320 80-66-16-32	2234360	
5	1	Package box	1233197	
6	1	Wiper AUAS 40-50-7-10	2232833	
7	2	Guide band	1233153	
8	1	Compact seal KL310 40-48-8-9	2232137	
9	1	O-ring Ø72-5	2233070	
10	2	Hexagon screw M10x20 8.8 galvanized	2422295	
11	2	Spring washer M10 galvanized	2534060	
12	2	Washer M10 galvanized	2531060	
13	1	Bolt for cylinder strut with three-point linkage	1312365	
14	1	Seeger ring	2553262	
15	1	Spherical bearing GE 40 ES	2954140	
16	2	Grease nipple	2478410	
17	1	Bolt for cylinder/strut with adjustable attachment	1312366	
20	2	Hydraulic seal 3/8" BSP	2957890	
21	1	Hexagon nipple R3/8"-3/8"	2957760	
22	1	Hydraulic hose L-1800	2958113	
23	1	Hydraulic hose L-1400	2958109	
24	1	Hexagon nipple R3/8" 12mm	2957749	
		Complete hydraulic cylinder with hoses	1312364	



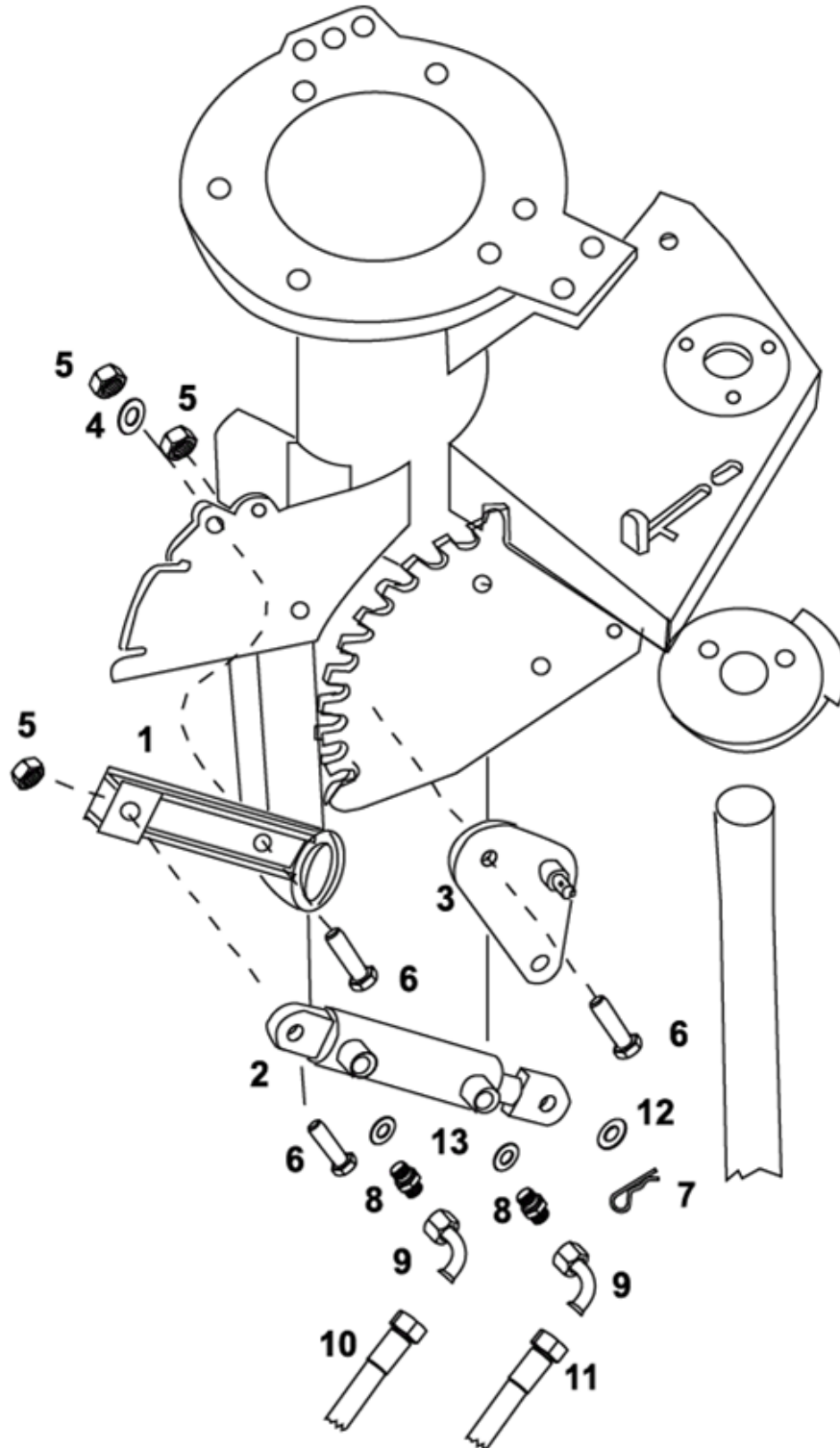
Spare parts catalogue

DUUN

Slurry pump SP400

Hydraulic loading and stirring

Edition: 0703





Spare parts catalogue

DUUN

Slurry pump SP400

Hydraulic loading and stirring

Edition: 0703

Pos.no.	Qty.	Designation	Article no.	Comment
1	1	Mounting bracket for cylinder 40x20x50	1312490	
2	1	Hydr. cylinder, stirring/loading 40x20x50	2955359	
3	1	Hydraulic load operation/stirring	1312491	
4	1	Washer M16 hot galvanized	2539078	
5	2	Hexagon nut M16 lock. galvanized	2483613	
6	1	Hexagon screw M16x50 hot galvanized	2427493	
7	1	Cotter pin 4mm 10045	2528040	
8	2	Hexagon nipple BSP R3/8" ext.-R1/4" ext.	2957762	
9	2	Swivel nipple 90' BSP 1/4" ext. - 1/4" swivel	2957770	
10	1	Hydraulic hose 1/4" loading/stirring L=0.73m	2958131	
11	1	Hydraulic hose 1/4" loading/stirring L=0,90m	2958132	
12	1	Washer M16 hot galvanized	2539078	
13	4	Hydraulic seal 3/8"	2957890	

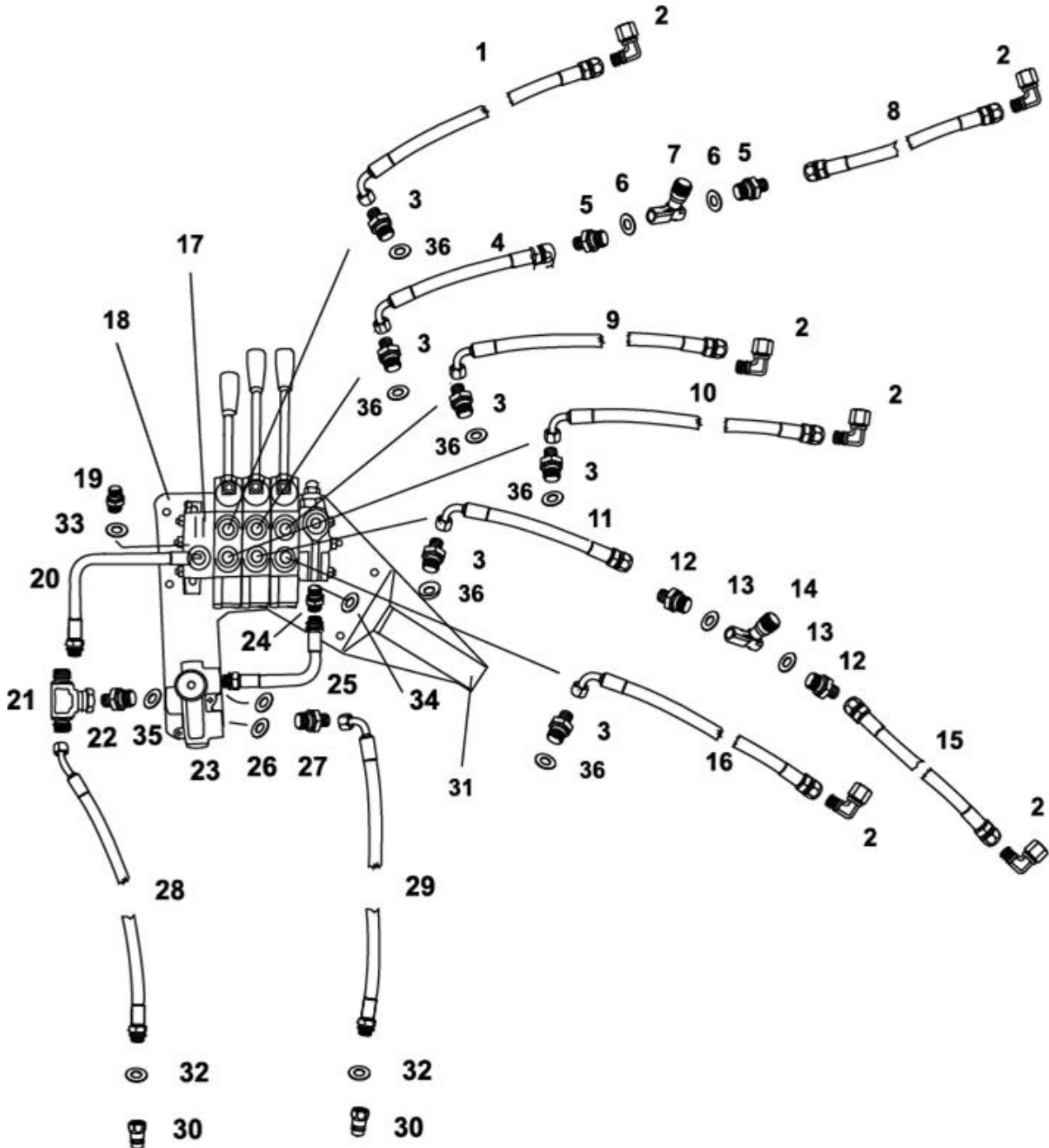


Spare parts catalogue

DUUN

Slurry pump SP400

	Hydraulic parts stirring-loading + loading pipe upside down + 3 functions sideways	Edition: 0703
--	--	---------------





Spare parts catalogue

DUUN**Slurry pump SP400**

	Hydraulic parts stirring-loading + loading pipe upside down + 3 functions sideways	Edition: 0703
--	--	---------------

Pos.no.	Qty.	Designation	Article no.	Comment
1	1	¼" Hydraulic hose R2T L-730mm	2958131	
2	6	Swivel nipple 90 BSP 1/4"-1/4"	2957770	
3	6	Hexagon nipple BSP 3/8 ext.-1/4"ext.	2957761	
4	1	1/4" Hydraulic hose R2T L-300mm	2958125	
5	2	Hexagon nipple BSP 3/8 ext.-1/4"ext.	2957761	
6	2	Hydraulic seal 3/8"	2957890	
7	1	Non-return / return valve 3/8	2955341	
8	1	1/4" Hydraulic hose R2T L-1780mm	2958127	
9	1	1/4" Hydraulic hose R2T L-2680mm	2958130	
10	1	1/4"hose R2T L-900mm	2958132	
11	1	1/4"hose R2T L-400mm.	2958126	
12	2	Hexagon nipple BSP 3/8ext.-1/4"ext.	2957761	
13	2	Hydraulic seal 3/8"	2957890	
14	1	Non-return/ return valve 3/8	2955341	
15	1	1/4" Hydraulic hose R2T L-2030mm	2958128	
16	1	1/4" Hydraulic hose R2T L-3090mm	2958129	
17	1	Directional valve with 3 man. valve	2955344	
18	1	Fixing plate hydraulic block SP400 combi	1312577	from 04001
18	1	Fixing plate hydraulic block SP400 combi	1312570	excludes fom 04001
19	1	Hexagon nipple BSP 1/2"ext.-R1/2ext.	2957765	
20	1	½" Hydraulic hose R2T L2T L-330mm	2958141	fom 04001
20	1	3/8" Hydraulic hose R2T L-270mm	2958123	
21	1	T- hexagon nipple BSPR1/2-R1/2-R1/2	2957767	fom 04001
21	1	T- hexagon nipple BSPR3/8-R3/8-R3/8	2957764	excludes fom 04001
22	1	Hexagon nipple BSP 1/2"ext.-R3/8 ext.	2957763	
23	1	Quantity control valve LHC 910 1/2	2955342	
24	1	Hexagon nipple BSP 1/2"ext.-R1/2 ext.	2957765	
25	1	3/8" Hydraulic hose R2T L-370mm	2958124	
26	2	Hydraulic seal 1/2"	2957861	
27	1	Hexagon nipple BSP 1/2" ext.-R1/2ext.	2957765	fom 04001
27	1	Hexagon nipple BSP 1/2" ext.-R3/8ext.	2957763	excludes fom 04001
28	1	½" Hydraulic hose R2T L3840 45gr	2958142	fom 04001
28	1	3/8" Hydraulic hose R2T L-3840 45gr	2958122	excludes fom 04001
29	1	½" Hydraulic hose R2T L-3840 90gr	2958121	
30	2	Quick coupling 1/2" ISO male part	2957860	
31	1	Hydraulic block fixing brackets	1312571	excludes fom 04001
32	2	Hydraulic seal 1/2"	2957861	
33	1	Hydraulic seal 1/2"	2957861	
34	1	Hydraulic seal 1/2"	2957861	
35	1	Hydraulic seal 1/2"	2957861	
36	6	Hydraulic seal 3/8"	2957890	

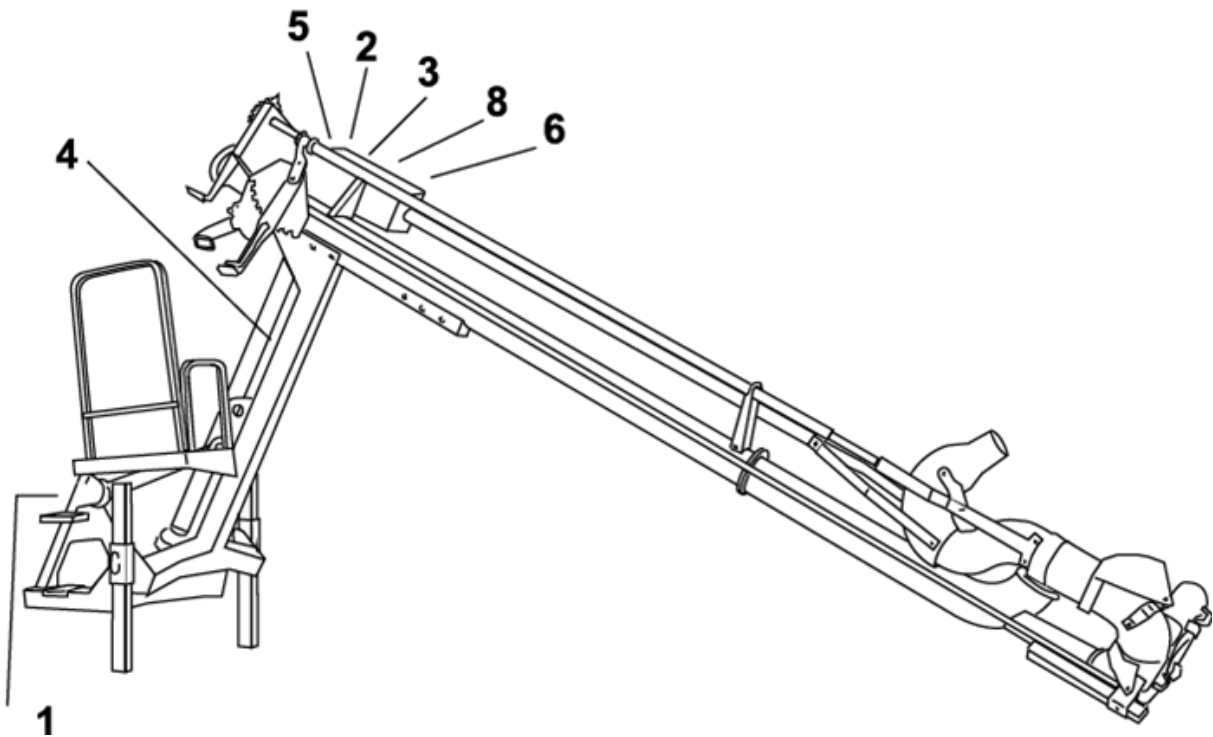


Spare parts catalogue

DUUN

Slurry pump SP400

	Stickers	Edition: 0703
--	----------	---------------





Spare parts catalogue

DUUN

Slurry pump SP400

	Stickers	Edition: 0703
--	----------	---------------

Pos.no.	Qty.	Designation	Article no.	Comment
1	1	Crush hazard of tractor	2935069	
2	1	540 RPM	2935061	
3	1	Read instruction manual	2935064	
4	1	Hearing protection	2935067	
5	1	Danger of hanging loads	2935066	
6	1	CE mark	2935063	
7	1	Hot surfaces	2935085	
8	1	Gearbox maintenance	2935054	